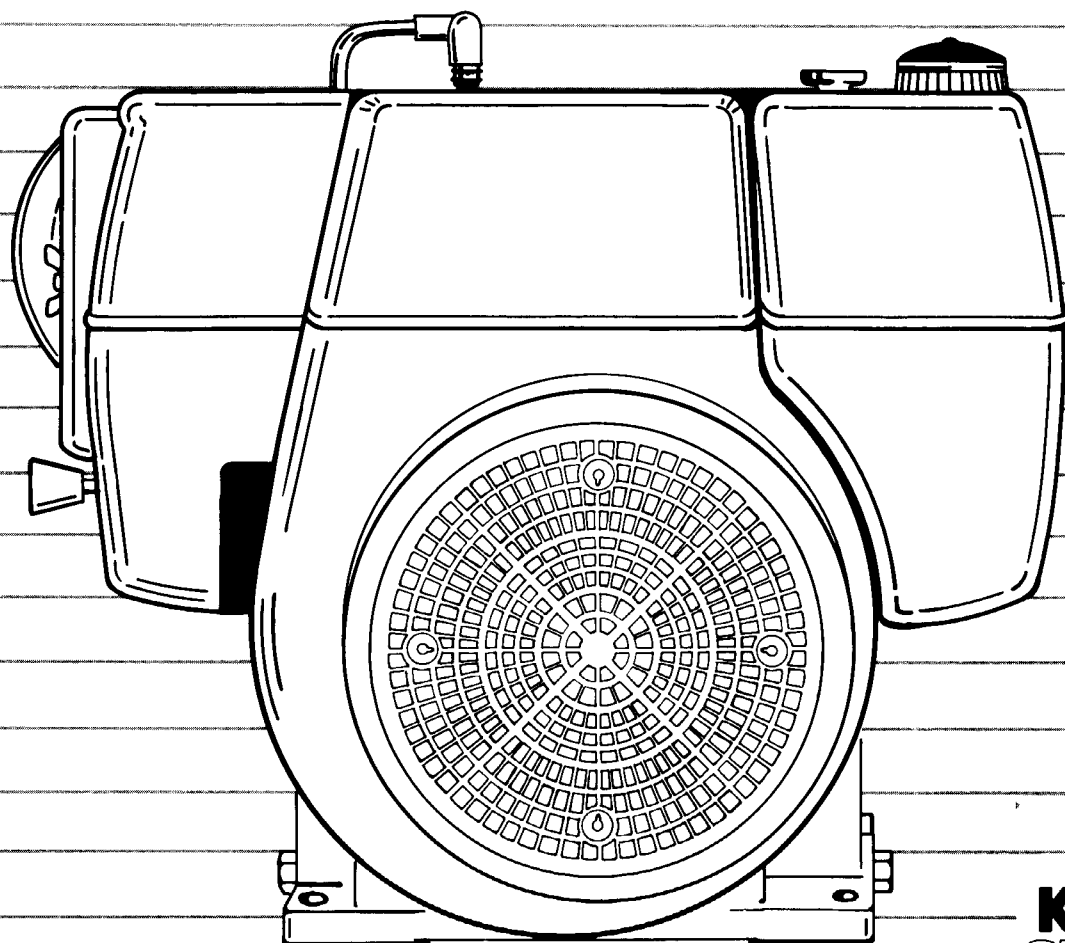


PARTS MANUAL

MAGNUM

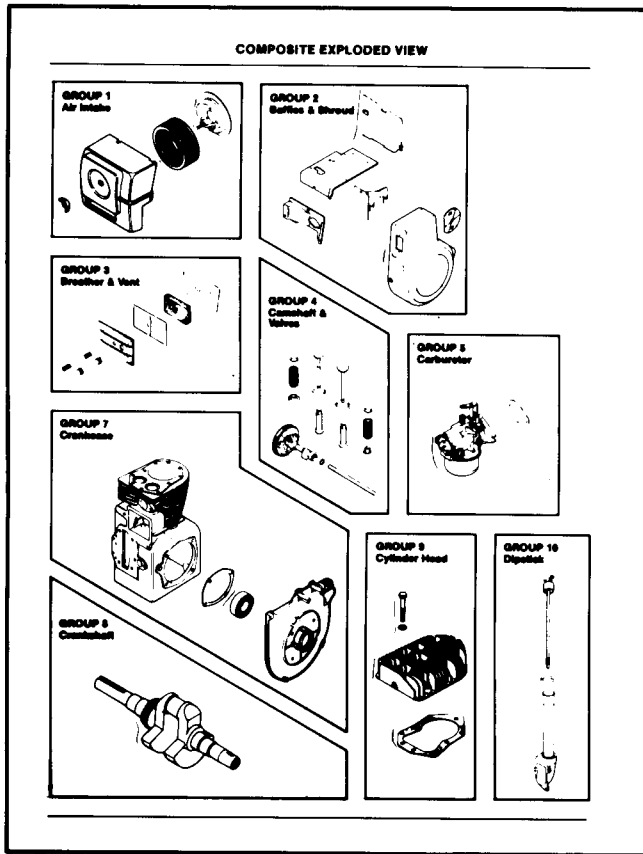
MODEL M12 12 HP

Engine Specs 471500-471572



KOHLER
engines

HOW TO FIND YOUR PART NUMBER



1. Turn the page of the parts manual to the "Composite Exploded View." Notice the boxed groupings identified by their function along with corresponding number. The group function and number applies to all engine models.

For Example:

| Function (Group Description) | Group Number |
|---------------------------------|-----------------|
| Air Intake | 1 |
| Baffles & Shroud | 2 |
| Breather & Vent | 3 |
| Camshaft & Valves | 4 |
| Carburetor | 5 |
| Electric Starter | 11 |
| Ignition | 18 |
| etc. | |

Remember the Group Number in which you located your part. (If the part you need is not illustrated, locate a major engine function related to your part and use that Group Number.)

SPECIFICATION NUMBER INDEX

| Group Title & Number | Air Intake | Baffles & Shroud | Breather & Vent | Camshaft & Valves | Carburetor | Crankcase | Crankshaft | Cylinder Head | Dipstick | Electric Start | Exhaust | Flywheel | Fuel Pump | Fuel Tank | Gear Reduction | Generator | Ignition | Instrument Panel | Oil Pan | Piston & Rod | Rechargeable Start | Spark Plug | |
|----------------------|------------------|------------------|-----------------|-------------------|------------|-----------|------------|---------------|----------|----------------|---------|----------|-----------|-----------|----------------|-----------|----------|------------------|---------|--------------|--------------------|------------|----|
| Page | 1 | 2 | 3 | 4 | 5 | 7 | 8 | 9 | 10 | 11 | 12 | 13 | 14 | 15 | 16 | 17 | 18 | 19 | 21 | 22 | 23 | 25 | 26 |
| Spec. No. | Variation Number | | | | | | | | | | | | | | | | | | | | | | |
| 461900 | 578 | 173 | 512 | 26 | 76 | 213 | 105 | 80 | 588 | 44 | 717 | 582 | 588 | 578 | 737 | 544 | 558 | 1 | 511 | 27 | | | |
| 461901 | 578 | 172 | 512 | 26 | 76 | 213 | 105 | 80 | 588 | 44 | 715 | 582 | 588 | 578 | 737 | 544 | 558 | 1 | 511 | 27 | | | |
| 461902 | 578 | 171 | 512 | 26 | 76 | 213 | 105 | 80 | 588 | 578 | 44 | 716 | 582 | 588 | 575 | 736 | 543 | 558 | 1 | 511 | 27 | | |
| 461903 | 578 | 176 | 512 | 26 | 76 | 213 | 105 | 80 | 588 | 578 | 44 | 744 | 582 | 588 | 575 | 736 | 543 | 558 | 1 | 511 | 27 | | |
| 461918 | 578 | 172 | 512 | 26 | 76 | 213 | 105 | 80 | 588 | 44 | 786 | 582 | 588 | 578 | 758 | 544 | 558 | 1 | 511 | 27 | | | |
| 461920 | 578 | 171 | 512 | 26 | 76 | 213 | 105 | 80 | 588 | 578 | 44 | 716 | 582 | 588 | 588 | 736 | 543 | 558 | 1 | 511 | 27 | | |

Contact your Kohler engine parts supplier for any specifications not listed.

For Miniblocks, Short Blocks, and Replacement Engines refer to Selection Guide TP-2249.

See Page 26 for Decal information.

2. Now turn to the pages titled "Specification Number Index." When scanning these pages, you'll notice:

- A. Page Numbers indexing where Group Parts are listed;
- B. Specification Numbers listed vertically down the first column;
- C. "Variation" Numbers in the Group Number columns. (These numbers specifically identify a particular group (combination) of parts used in a particular model(s)—and is used to locate the specific part number.)

HOW TO FIND YOUR PART NUMBER

M10

Group 1
AIR INTAKE

| Index Number | Description | Part Number | Index Number | Description | Part Number |
|--------------|-----------------------------------|-------------|--------------|---|-------------|
| 1 | Wing nut 1/4-20 576 | 1-276-7 | 8 | Grommet 576 | 46 883 82 |
| 2 | Cover, air cleaner 576 | 47 888 66 | 7 | Seal 576 | 231882 |
| 3 | Nut, 1/4-20 576 | 41 168 84 | 9 | Screws, hex. wash. hd. 10-32 x 11/32 (3) 576 | 1-47-88 |
| 4 | Cover, air cleaner element 576 | 62 882 84 | 9 | Seals, air cleaner 576 | 47 884 38 |
| 6 | Pre-cleaner, element 576 | 46 883 81 | | | |

3. Look at the illustration and the listing of the parts making up that group.

A. All parts in the illustration are identified (or indexed) with a number or letter. Use that identifier to locate that part description in the listing.

B. The "Variation" Number that you located in the Spec Index page is the number you should locate in the parts listing. It is a critical reference to correct part number identification.

C. Part Numbers are listed in the column to the right of Variation Numbers.

M10

There are several methods of repowering M10 engines to consider—with the choice depending on your shop facilities, repair costs, and allowable downtime of the engine.

- 1 **Engine Replacement:** When decision is to replace, use a Kohler Replacement Engine—No modifications required.
- 2 **Short Block Replacement:** When engine including the crankshaft is extensively damaged or worn internally. Refer to page 3 for short block components.
- 3 **Miniblock Replacement:** When bore, piston, and connecting rod are damaged but crankshaft and all other parts are in good condition. Refer to page 3 for miniblock components.
- 4 **Complete Overhaul:** Rebore cylinders and regrind crankshaft, using appropriate oversize and/or undersize replacement parts.

This Selection Guide provides an easy reference for determining the part number of the Replacement Engine, Short Block, or Miniblock required for the repower method selected. It also lists the part number of the crankshaft installed in the original engine.

Locate the engine specification number in the index below. Select the part number of the repair method listed in the adjacent columns.

| ENGINE SPECIFICATIONS | | | | | |
|-----------------------|----------------------|----------------|---------------------|-------------------|-----------|
| Engine Spec. No. | Supp. Service Engine | | Original Engine | | |
| | Replac. Engine | Crankshaft No. | Replac. Short Block | Replac. Miniblock | Replac. |
| 461888* | 461500 | 47 142 02 | — | — | 47 782 32 |
| 461881 | 461501 | 47 142 02 | — | — | 47 782 32 |
| 461882 | 461502 | 47 142 02 | — | — | 47 782 32 |
| 461883 | 461503 | 47 142 02 | — | — | 47 782 32 |
| 461818 | — | 47 142 02 | — | — | 47 782 32 |
| 461838 | — | 47 142 02 | — | — | 47 782 32 |

*Basic Engine

Special Features

Near the end of the Parts Manual Binder is a separate section devoted to Service Engines, Short Blocks, and Miniblocks. "Selection Guides" for each model engine give several different methods of repairing Kohler engines . . . with the choice dependent on shop facilities, costs, and allowable downtime of the engine and/or the equipment.

Selection Guides are easy references for determining part numbers of Replacement Engines, Short Blocks, or Miniblocks for the repair method selected. They also list part numbers of crankshafts installed in original engines.

Here is what you'll find:

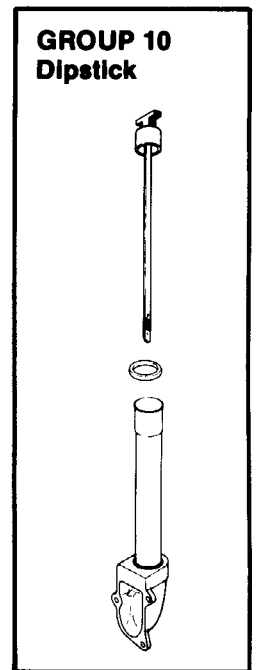
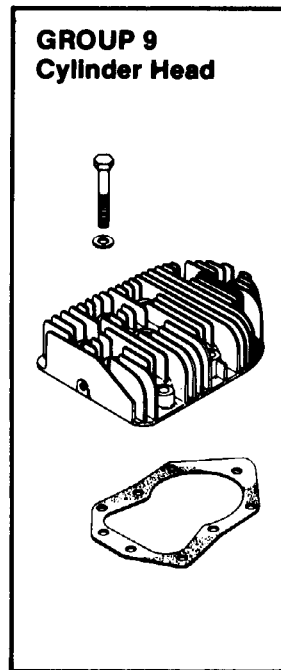
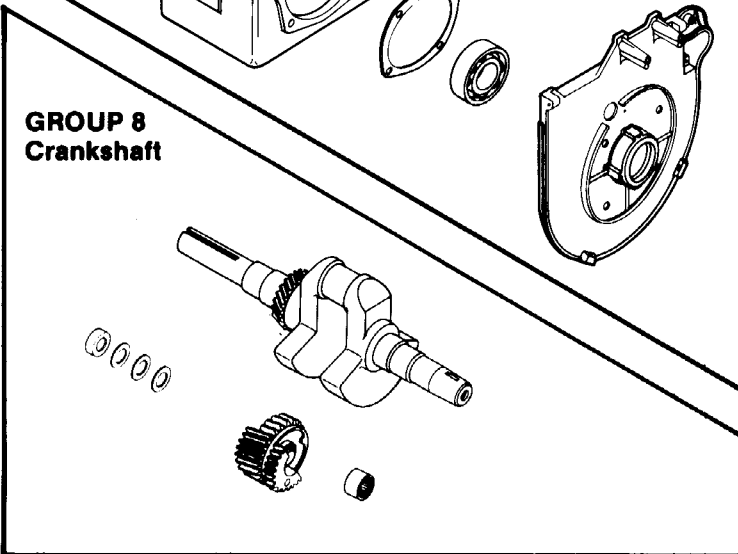
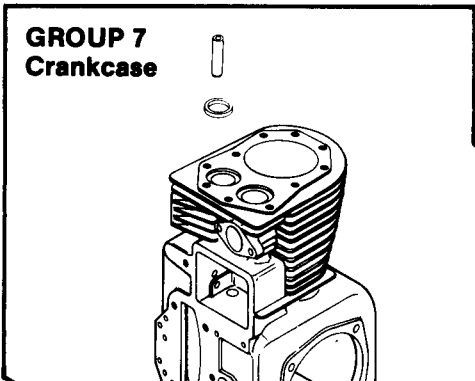
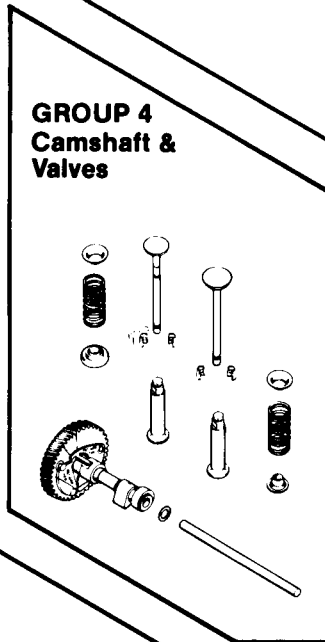
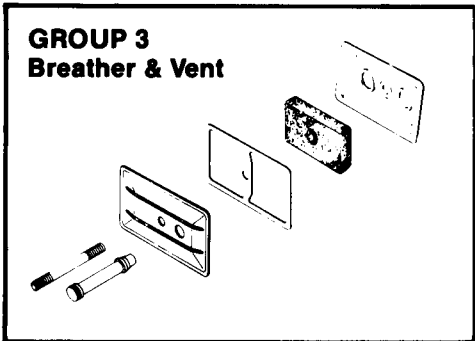
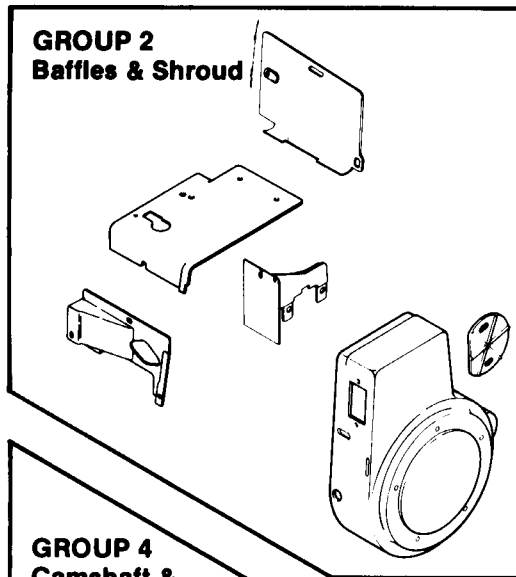
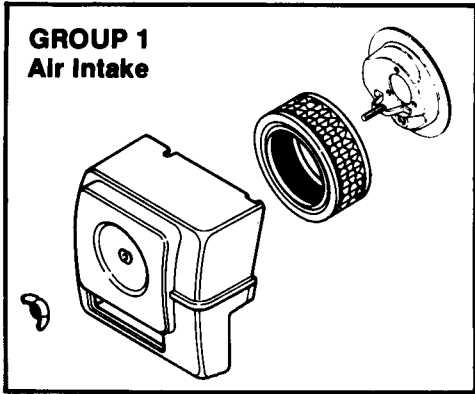
A. Engine model is identified on each page for easy reference;

B. Bold column heads identify the various repower options for every engine spec;

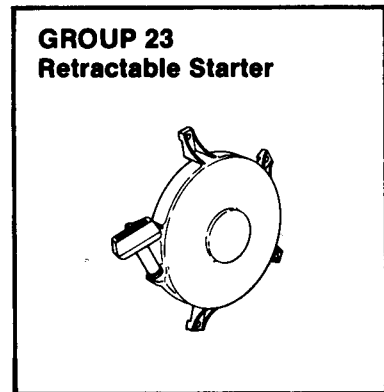
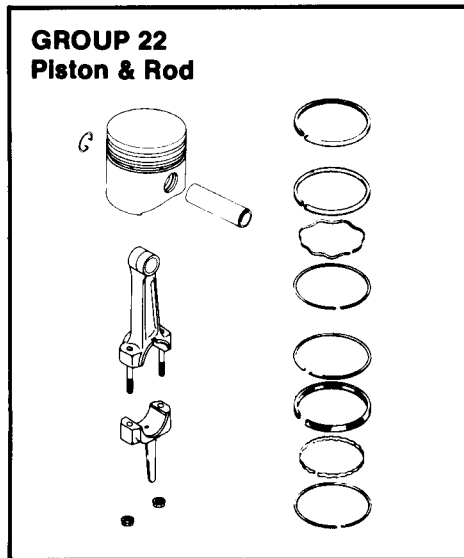
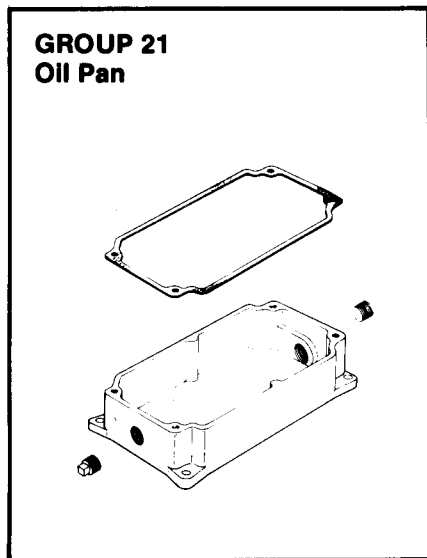
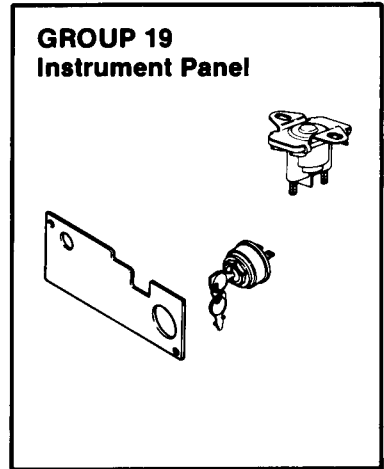
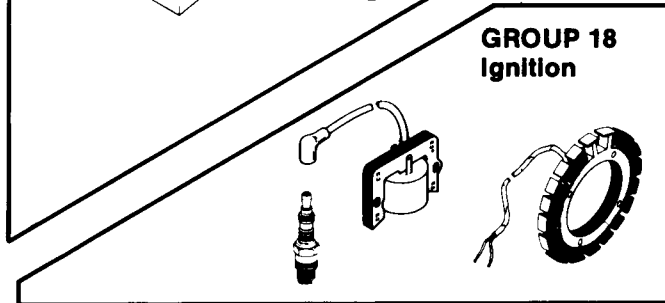
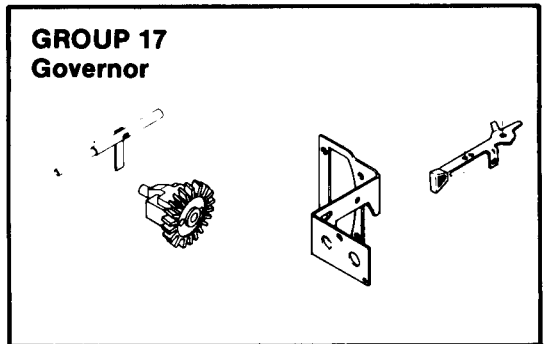
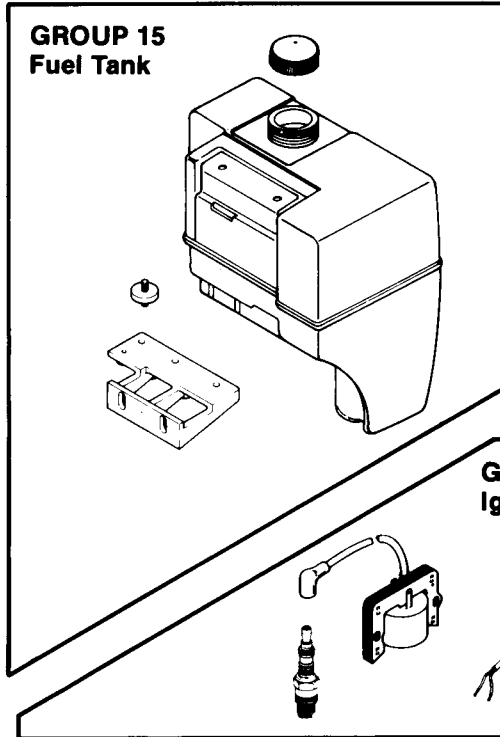
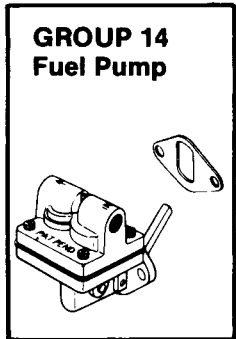
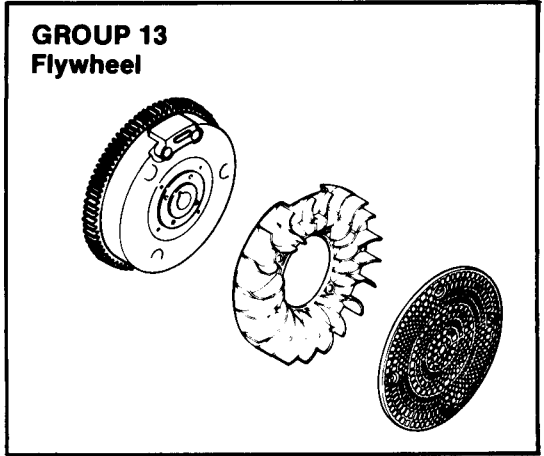
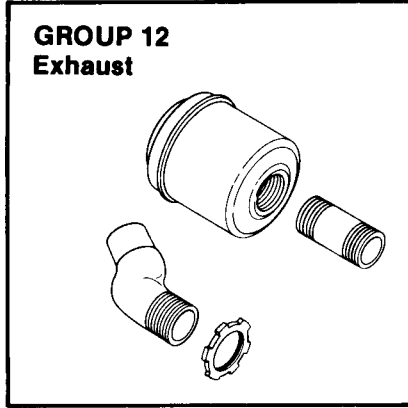
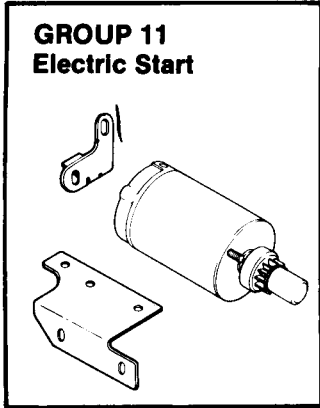
C. All crankshaft changes required for Service Engines or Replacement Engines are flagged with "Yes;"

D. Service Engines, Replacement Engines, Short Blocks, and Miniblocks.

COMPOSITE EXPLODED VIEW



COMPOSITE EXPLODED VIEW



M12

| Group Title & No. | Air Intake | Baffles & Shroud | Breather & Vent | Camshaft & Valves | Carburetor | Crankcase | Crankshaft | Cylinder Head | Dipstick | Electric Start | Exhaust | Flywheel | Fuel Pump | Fuel Tank | Gear Reduction | Governor | Ignition | Instrument Panel | Oil Pan | Piston & Rod | Retractable Start | Throttle Cable | Oil Press. Cutout |
|-------------------|------------------|------------------|-----------------|-------------------|------------|-----------|------------|---------------|----------|----------------|---------|----------|-----------|-----------|----------------|----------|----------|------------------|---------|--------------|-------------------|----------------|-------------------|
| | 1 | 2 | 3 | 4 | 5 | 7 | 8 | 9 | 10 | 11 | 12 | 13 | 14 | 15 | 16 | 17 | 18 | 19 | 21 | 22 | 23 | 24 | 32 |
| Page No. | 8 | 10 | 12 | 13 | 14 | 17 | 19 | 20 | 21 | 22 | 24 | 25 | 27 | 29 | 31 | 32 | 37 | 39 | 41 | 42 | 43 | 45 | 46 |
| Grid No. | A8 | A10 | A12 | A13 | A14 | B3 | B5 | B6 | B7 | B8 | B10 | B11 | B13 | C1 | C3 | C4 | C9 | C11 | C13 | C14 | D1 | D3 | D4 |
| Spec No. | Variation Number | | | | | | | | | | | | | | | | | | | | | | |
| 471500 | 98 | 289 | 12 | 826 | 156 | 375 | 148 | 105 | 68 | | 305 | 617 | 300 | 301 | | 117 | 237 | 44 | 58 | 17 | | | |
| 471501 | 98 | 287 | 12 | 826 | 156 | 375 | 148 | 105 | 68 | | 305 | 215 | 300 | 301 | | 117 | 237 | 44 | 58 | 17 | 11 | | |
| 471502 | 98 | 500 | 12 | 826 | 156 | 375 | 148 | 105 | 68 | 76 | 305 | 216 | 300 | 301 | | 116 | 236 | 43 | 58 | 17 | | | |
| 471503 | 98 | 302 | 12 | 826 | 156 | 375 | 148 | 105 | 68 | 76 | 305 | 244 | 300 | 301 | | 116 | 236 | 43 | 58 | 17 | 11 | | |
| 471504 | 98 | 287 | 12 | 826 | 156 | 381 | 157 | 105 | 68 | | 305 | 215 | 300 | 301 | | 79 | 237 | 49 | 58 | 17 | 11 | | |
| 471505 | 98 | 302 | 12 | 826 | 156 | 381 | 157 | 105 | 68 | 76 | 305 | 216 | 300 | 301 | | 79 | 236 | 53 | 58 | 17 | | | |
| 471506 | 98 | 289 | 12 | 826 | 156 | 381 | 158 | 105 | 68 | | 305 | 617 | 300 | 301 | | 79 | 237 | 49 | 58 | 17 | | | |
| 471507 | 98 | 287 | 12 | 826 | 156 | 381 | 158 | 105 | 68 | | 305 | 215 | 300 | 301 | | 79 | 237 | 49 | 58 | 17 | 11 | | |
| 471508 | 98 | 287 | 12 | 826 | 156 | 375 | 159 | 105 | 68 | | 305 | 215 | 300 | 301 | 2 | 117 | 237 | 44 | 58 | 17 | 11 | | |
| 471512 | 99 | 304 | 13 | 826 | 153 | 383 | 161 | 105 | 69 | 79 | 39 | 223 | 301 | | | 112 | 300 | | 36 | 17 | | | |
| 471514 | 99 | 330 | 13 | 826 | 153 | 406 | 174 | 105 | 69 | 78 | 39 | 618 | 92 | | | 114 | 246 | | 54 | 17 | | | |
| 471515 | 98 | 297 | 12 | 826 | 153 | 394 | 148 | 105 | 68 | 77 | | 216 | 300 | 81 | | 81 | 255 | | 854 | 17 | | | |
| 471516 | 86 | 314 | 12 | 826 | 144 | 394 | 148 | 105 | 68 | | 11 | 215 | 300 | 81 | | 97 | 269 | | 854 | 17 | 8 | | |
| 471519 | 98 | 306 | 12 | 826 | 300 | 401 | 148 | 105 | 68 | 76 | 305 | 219 | 82 | 83 | | 116 | 237 | 54 | 854 | 17 | | | |
| 471525 | 101 | 305 | 12 | 826 | 153 | 397 | 167 | 105 | 28 | | | 290 | 95 | | | 96 | 280 | | 1 | 17 | 11 | | |
| 471527 | 102 | 298 | 12 | 826 | 153 | 394 | 148 | 105 | 69 | 78 | 39 | 216 | 59 | | | 104 | 264 | | 624 | 17 | | 826 | 3 |
| 471528 | 100 | 300 | 13 | 826 | 144 | 394 | 148 | 105 | 68 | 78 | 45 | 224 | 70 | | | 107 | 261 | | 854 | 17 | | | |
| 471529 | 101 | 313 | 12 | 826 | 153 | 397 | 167 | 105 | 28 | 79 | | 216 | 95 | | | 96 | 259 | | 1 | 17 | | | |
| 471530 | 300 | 315 | 9 | 826 | 157 | 402 | 170 | 105 | 28 | 78 | | 216 | 91 | | | 95 | 259 | | 1 | 17 | | | |
| 471532 | 98 | 286 | 12 | 826 | 300 | 375 | 159 | 105 | 68 | 76 | 305 | 216 | 82 | 79 | 2 | 116 | 236 | 43 | 58 | 17 | | | |
| 471534 | 69 | 322 | 1 | 828 | 1 | 404 | 168 | 105 | 48 | 83 | | 285 | 51 | | | 68 | 272 | | 59 | 17 | 11 | | 4 |
| 471535 | 69 | 323 | 1 | 828 | 1 | 404 | 168 | 105 | 48 | | | 286 | 51 | | | 68 | 273 | | 59 | 17 | 11 | | 4 |
| 471536 | 94 | 297 | 12 | 826 | 144 | 394 | 169 | 105 | 68 | 76 | 306 | 216 | 82 | 67 | | 104 | 259 | | 1 | 17 | | | |
| 471537 | 301 | 327 | 12 | 37 | * | 405 | 148 | 105 | 68 | 84 | | 216 | 4 | | | 123 | 286 | 300 | 58 | 17 | | | |
| 471538 | 98 | 298 | 12 | 826 | 144 | 394 | 148 | 105 | 65 | 78 | | 216 | 59 | | | 100 | 255 | | 23 | 17 | | | |
| 471541 | 98 | 286 | 12 | 826 | 300 | 375 | 162 | 105 | 68 | 300 | 300 | 216 | 82 | 66 | | 118 | 267 | 51 | 58 | 17 | | | |
| 471542 | 98 | 287 | 12 | 826 | 300 | 412 | 148 | 105 | 68 | | 53 | 284 | 300 | 301 | | 117 | 237 | 44 | 58 | 17 | 12 | | |
| 471543 | 98 | 331 | 12 | 826 | 300 | 375 | 148 | 105 | 68 | | 50 | 215 | 59 | | | 117 | 237 | 44 | 58 | 17 | 8 | | |
| 471545 | 98 | 501 | 12 | 826 | 153 | 405 | 148 | 105 | 68 | 76 | 305 | 216 | 300 | 80 | | 120 | 282 | 301 | 58 | 17 | | | |
| 471546 | 102 | 298 | 12 | 826 | 153 | 394 | 148 | 105 | 69 | 78 | 39 | 216 | 59 | | | 104 | 264 | | 624 | 17 | | 826 | 3 |

* Carburetor removed after test.

Contact your Kohler engine parts supplier for any specifications not listed.

For Miniblocks, Short Blocks, and Replacement Engines refer to Selection Guide TP-2250-B.

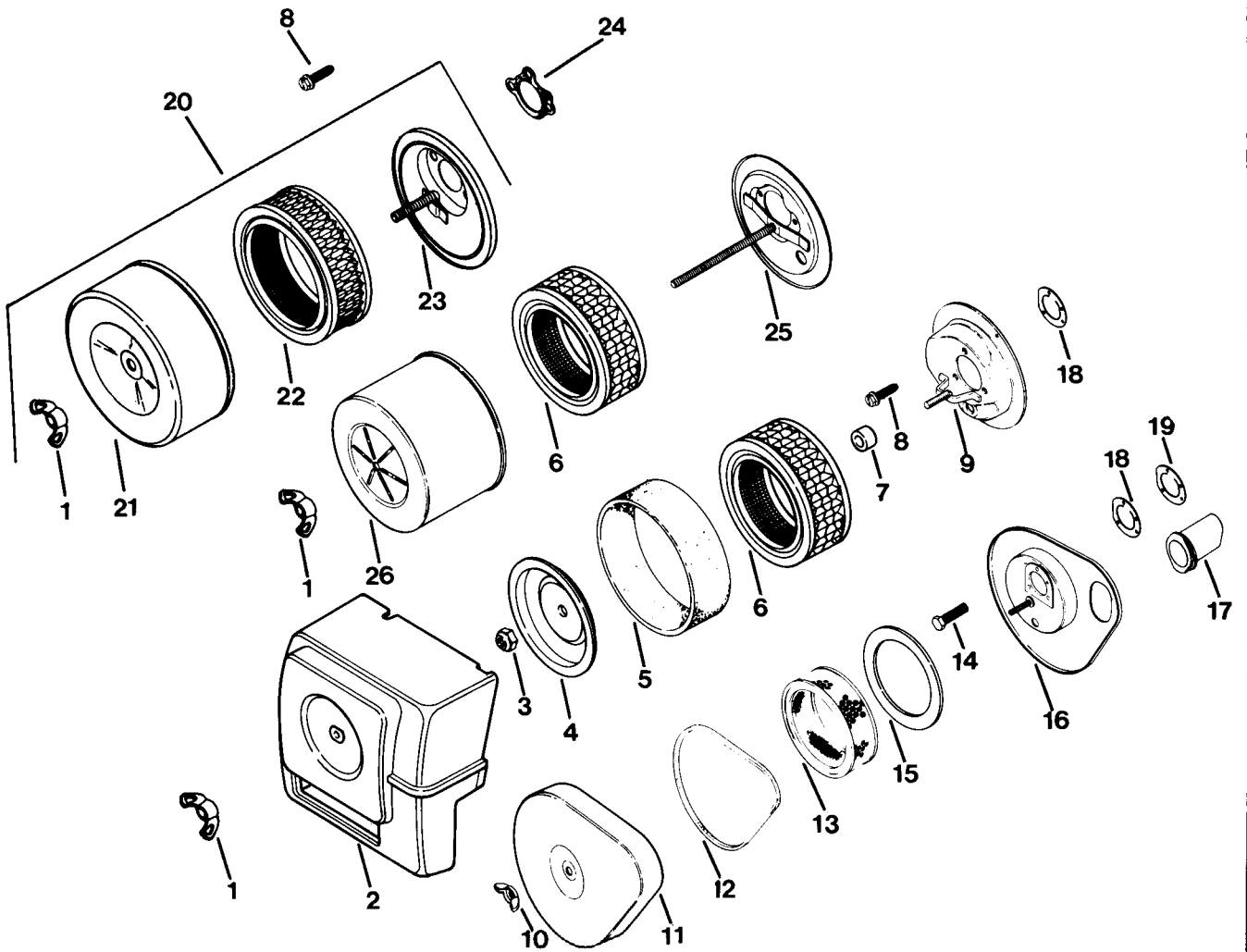
M12

| Group Title & No. | Air Intake | Baffles & Shroud | Breather & Vent | Camshaft & Valves | Carburetor | Crankcase | Crankshaft | Cylinder Head | Dipstick | Electric Start | Exhaust | Flywheel | Fuel Pump | Fuel Tank | Gear Reduction | Governor | Ignition | Instrument Panel | Oil Pan | Piston & Rod | Retractable Start | Throttle Cable | Oil Press. Cutout |
|-------------------|-------------------------|------------------|-----------------|-------------------|------------|-----------|------------|---------------|----------|----------------|---------|----------|-----------|-----------|----------------|----------|----------|------------------|---------|--------------|-------------------|----------------|-------------------|
| | 1 | 2 | 3 | 4 | 5 | 7 | 8 | 9 | 10 | 11 | 12 | 13 | 14 | 15 | 16 | 17 | 18 | 19 | 21 | 22 | 23 | 24 | 32 |
| Page No. | 8 | 10 | 12 | 13 | 14 | 17 | 19 | 20 | 21 | 22 | 24 | 25 | 27 | 29 | 31 | 32 | 37 | 39 | 41 | 42 | 43 | 45 | 46 |
| Grid No. | A8 | A10 | A12 | A13 | A14 | B3 | B5 | B6 | B7 | B8 | B10 | B11 | B13 | C1 | C3 | C4 | C9 | C11 | C13 | C14 | D1 | D3 | D4 |
| Spec No. | Variation Number | | | | | | | | | | | | | | | | | | | | | | |
| 471547 | 107 | 290 | 12 | 37 | 164 | 375 | 148 | 105 | 68 | 80 | | 216 | 4 | | | 127 | 236 | 43 | 58 | 17 | | | |
| 471548 | 98 | 290 | 12 | 826 | 156 | 375 | 148 | 105 | 68 | 80 | 305 | 216 | 303 | | | 116 | 236 | 43 | 58 | 17 | | | |
| 471549 | 104 | 297 | 13 | 826 | 144 | 405 | 148 | 105 | 68 | 300 | 301 | 216 | 300 | 300 | | 140 | 255 | 302 | 58 | 17 | | | |
| 471550 | 98 | 287 | 12 | 826 | 156 | 378 | 31 | 105 | 68 | | 302 | 215 | 82 | 84 | | 117 | 237 | | 63 | 17 | 11 | | |
| 471553 | 98 | 287 | 12 | 826 | 300 | 411 | 173 | 105 | 68 | | 303 | 284 | 300 | 300 | | 79 | 237 | 49 | 59 | 17 | 12 | | 2 |
| 471554 | 98 | 287 | 12 | 826 | 300 | 381 | 157 | 105 | 68 | | 304 | 215 | 300 | 300 | | 79 | 237 | 49 | 59 | 17 | 11 | | 2 |
| 471555 | 98 | 286 | 12 | 826 | 156 | 381 | 157 | 105 | 68 | 76 | 304 | 283 | 300 | 300 | | 79 | 236 | 53 | 59 | 17 | | | 2 |
| 471556 | 98 | 286 | 12 | 826 | 156 | 381 | 172 | 105 | 68 | 76 | 305 | 216 | 300 | 84 | | 116 | 236 | 63 | 59 | 17 | | | 5 |
| 471557 | 98 | 302 | 12 | 826 | 156 | 375 | 148 | 105 | 68 | 76 | 50 | 244 | 300 | 300 | | 116 | 271 | 68 | 59 | 17 | 11 | | 5 |
| 471558 | 69 | 322 | 1 | 828 | 163 | 404 | 168 | 105 | 48 | | | 285 | 300 | | | 68 | 272 | | 59 | 17 | 11 | | 9 |
| 471559 | 69 | 323 | 1 | 828 | 163 | 404 | 168 | 105 | 48 | 83 | | 286 | 302 | | | 68 | 273 | | 59 | 17 | 11 | | 9 |
| 471560 | 98 | 500 | 12 | 826 | 156 | 375 | 159 | 105 | 68 | 76 | 305 | 216 | 300 | 84 | 2 | 116 | 236 | 43 | 58 | 17 | | | |
| 471561 | 300 | 315 | 9 | 826 | 157 | 402 | 170 | 105 | 28 | 78 | | 216 | 91 | | | 95 | 259 | | 1 | 17 | | | |
| 471562 | 98 | 331 | 12 | 826 | 300 | 378 | 148 | 105 | 68 | | 39 | 215 | 59 | | | 148 | 237 | 71 | 58 | 17 | 8 | | |
| 471563 | 101 | 287 | 12 | 826 | 156 | 417 | 10 | 105 | 68 | | 1 | 215 | 300 | 84 | | 117 | 237 | 44 | 59 | 17 | 11 | | 2 |
| 471564 | 101 | 286 | 12 | 826 | 156 | 417 | 10 | 105 | 68 | 76 | 1 | 216 | 300 | 84 | | 116 | 236 | 43 | 59 | 17 | | | 2 |
| 471566 | 98 | 302 | 12 | 826 | 156 | 381 | 148 | 105 | 68 | 76 | | 244 | 93 | 84 | | 116 | 236 | 43 | 58 | 17 | 11 | | |
| 471567 | 69 | 322 | 1 | 828 | 163 | 404 | 168 | 105 | 48 | | | 285 | 302 | | | 68 | 272 | | 59 | 17 | 11 | | 9 |
| 471568 | 69 | 323 | 1 | 828 | 163 | 404 | 168 | 105 | 48 | 83 | | 286 | 302 | | | 68 | 273 | | 59 | 17 | 11 | | 9 |
| 471569 | 87 | 341 | 12 | 39 | 144 | 405 | 148 | 105 | 68 | 76 | 11 | 216 | 93 | 80 | | 119 | 237 | 60 | 58 | 17 | | | |
| 471570 | 98 | 287 | 12 | 826 | 156 | 418 | 174 | 105 | 68 | | 50 | 284 | 93 | 84 | | 117 | 237 | 44 | 67 | 17 | 12 | | |
| 471572 | 98 | 287 | 12 | 826 | 156 | 411 | 173 | 105 | 68 | | 305 | 215 | 93 | 84 | | 79 | 237 | 49 | 59 | 17 | 11 | | 2 |

Contact your Kohler engine parts supplier for any specifications not listed.

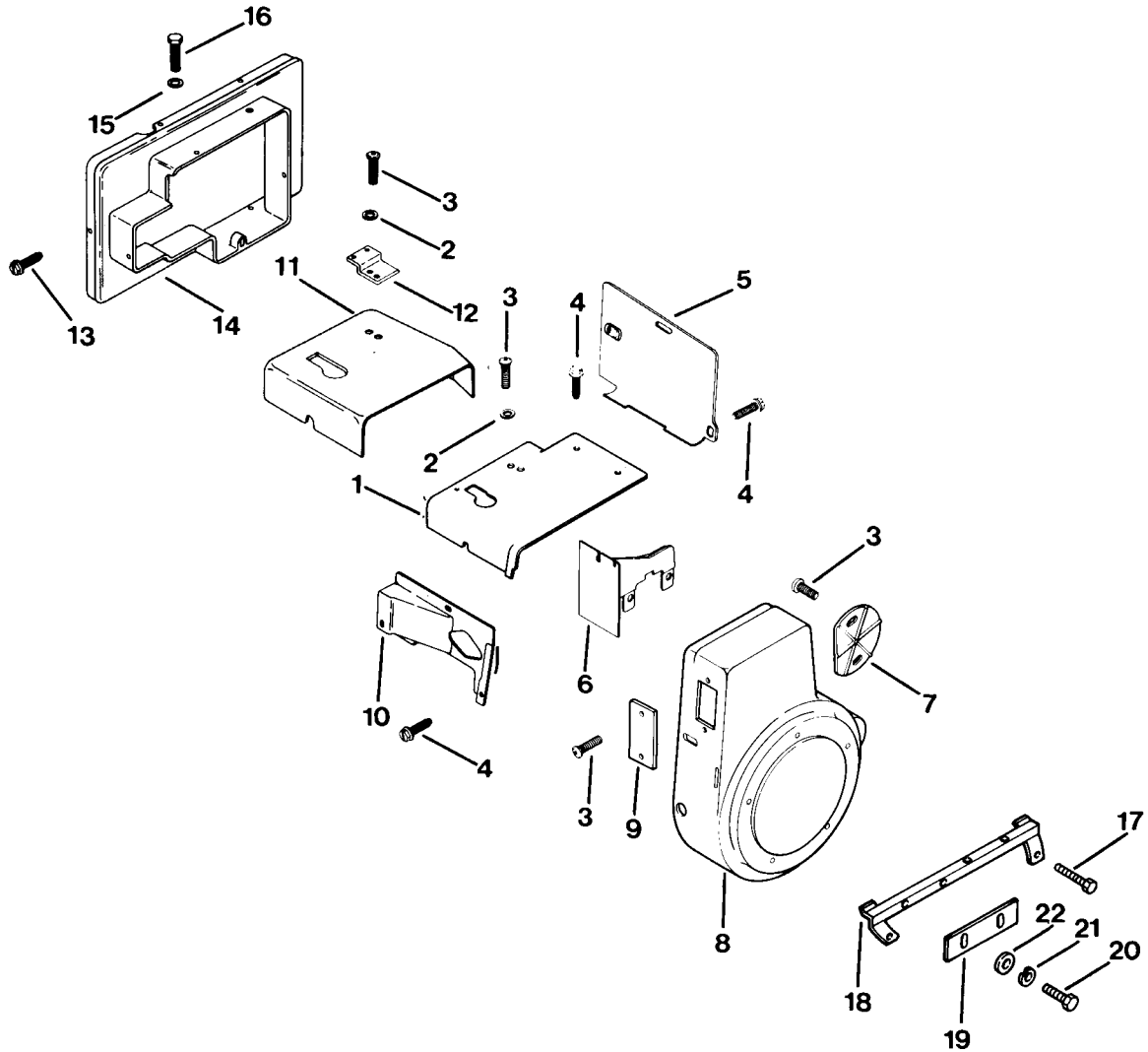
For Miniblocks, Short Blocks, and Replacement Engines refer to Selection Guide TP-2250-B.

Group 1
AIR INTAKE



| Index Number | Description Variation Number | Part Number | Index Number | Description Variation Number | Part Number |
|--------------|--|-------------|-----------------|---|-------------|
| 1 | Wing nut 1/4-20 69, 86, 87, 98, 101, 102, 107, 300, 301 | X-276-7 | 14 | Screw, hex. hd. 10-32 x 15/16" (3) 99, 100, 104 | 47 086 19 |
| 2 | Cover, air cleaner (Replaced by 47 096 13) 86, 87 | 47 096 09 | 15 | Gasket, base 94 | 47 041 11 |
| 2 | Cover, air cleaner (Replaced by 47 096 12) 98, 107, 301 | 47 096 08 | 16 | Base, air cleaner 86, 87, 94, 102, 107, 301 | 47 094 20 |
| 2 | Cover, air cleaner (w/hole for fuel line) 102 | 47 096 10 | 16 | Base, air cleaner 99, 104 | 47 094 11 |
| 3 | Nut, jam 1/4-20 86, 87, 94, 98, 101, 102, 107, 300, 301 | 41 100 04 | 16 | Base, air cleaner 100 | 47 094 08 |
| 4 | Cover, air cleaner element 86, 87, 94, 98, 101, 102, 107, 300, 301 | 52 082 04 | 17 | Tube, air 99, 100 | 47 134 02 |
| 5 | Precleaner, element 86, 87, 94, 98, 101, 102, 107, 300, 301 | 45 083 01 | 18 | Gasket, air horn (Replaced by 45 041 07) 86, 87, 94, 98, 99, 100, 101, 102, 104, 301 | 47 041 05 |
| 6 | Element 86, 87, 94, 98, 101, 102, 107, 300, 301 | 45 083 02 | 18 | Gasket, air horn (2) 107 | 45 041 07 |
| 7 | Seal 86, 87, 94, 98, 101, 102, 107, 300, 301 | 231032 | 19 | Spacer 99, 100, 104 | 47 112 20 |
| 8 | Screw, hex. wash. hd. 10-32 x 11/32" (3) 86, 87, 94, 98, 101, 102, 107, 301 | X-67-65 | 20 | Cleaner, air assembly (Includes 1, 21, 22, 23 and decal 25 113 07) 69 | A-235100 |
| 8 | Screw, fil. hd. sems 10-32 x 3/8" (3) 300 | X-167-2 | 21 | Cover, air cleaner 69 | 235102 |
| 9 | Base, air cleaner 98, 101, 102 | 47 094 20 | 22 | Element, air cleaner 69 | 235116 |
| 10 | Wing nut 1/4-20 94, 99, 100, 104 | X-276-7 | 23 | Base, air cleaner 69 | 235101 |
| 11 | Cover, air cleaner 94 | 47 082 02 | 24 | Gasket, air horn 69, 300 | 275341 |
| 11 | Cover, air cleaner 99, 101, 104 | 47 082 01 | 25 | Base, air cleaner 300 | 45 094 01 |
| 11 | Cover, air cleaner 100 | 47 082 03 | 26 | Cover, air cleaner 300 | 45 082 01 |
| 12 | Seal, cover 99, 100, 104 | 47 032 03 | Not Illustrated | | |
| 13 | Element 99, 104 | 47 083 01 | | Decal, air cleaner 86, 87, 98, 102, 107, 301 | 41 113 02 |
| 13 | Element 100 | 47 083 03 | | Decal, air cleaner 69, 94, 99, 100, 101, 104, 300 | 25 113 07 |

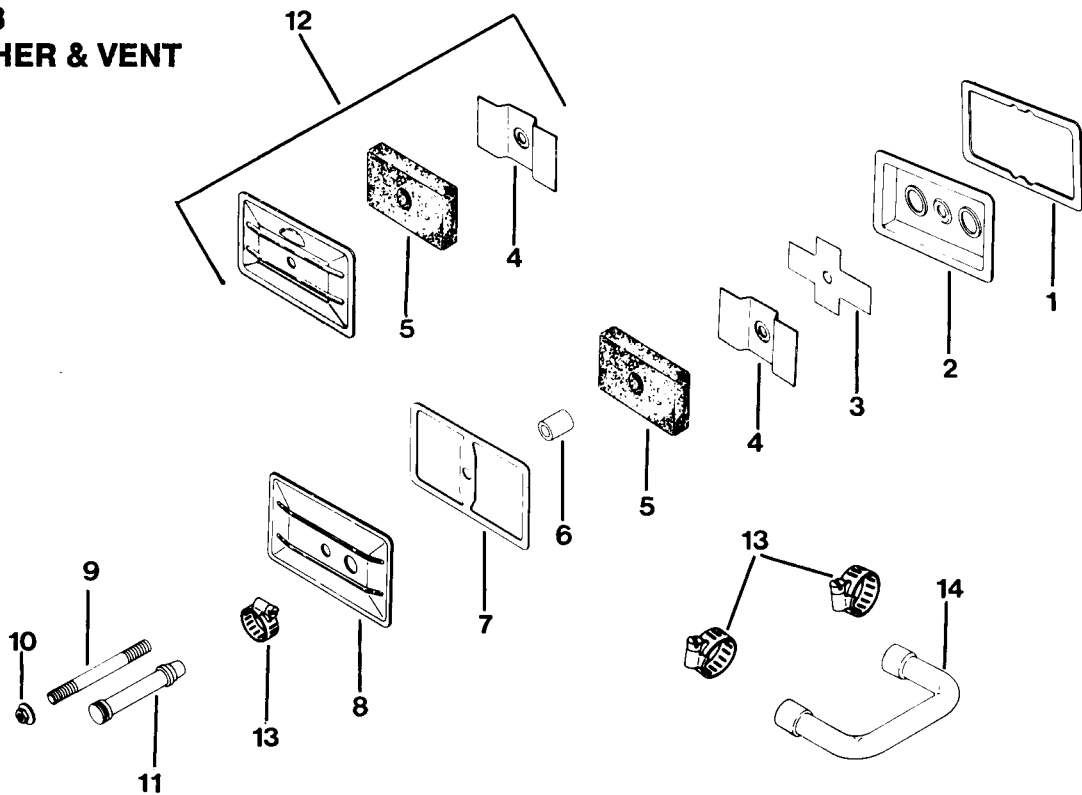
**Group 2
BAFFLES & SHROUD**



| Index Number | Description Variation Number | Part Number | Index Number | Description Variation Number | Part Number |
|--------------|---|-------------|--------------|--|-------------|
| 1 | Baffle, head 286, 287, 289, 297, 302, 306, 314 341, 500, 501 | 45 063 07 | 3 | Screw, pozidriv T.H. 1/4-20 x 5/8" (3) 323, 341 | 47 086 08 |
| 2 | Washer, plain 1/4" 286, 287, 289, 290, 297, 298, 300, 302, 304, 305, 306, 313, 314, 315, 322, 323, 327, 330, 331, 341, 500, 501 | X-25-53 | 4 | Screw, hex. wash. hd. 1/4-20 x 5/8" (6) 286, 287, 289, 290, 297, 298, 302, 305, 306, 313, 314, 315, 322, 323, 327, 331, 341, 500, 501 | 52 086 11 |
| 3 | Screw, pozidriv T.H. 1/4-20 x 5/8" 286, 290, 297, 298, 300, 302, 304, 306, 313, 315, 327, 330, 500, 501 | 47 086 08 | 4 | Screw, hex. wash. hd. 1/4-20 x 5/8" (8) 300, 304, 330 | 52 086 11 |
| 3 | Screw, pozidriv T.H. 1/4-20 x 5/8" (5) 287, 289, 305, 314, 322, 331 | 47 086 08 | 5 | Baffle, cylinder (w/o bracket) 286, 287, 289, 290, 297, 298, 300, 302, 304, 305, 306, 313, 314, 315, 322 323, 327, 330, 331, 341, 500 | 47 063 10 |
| 3 | Screw, pozidriv T.H. 1/4-20 x 5/8" (2) 306 | 47 086 08 | 5 | Baffle, cylinder (w/bracket) 322, 323, 501 | 47 063 13 |

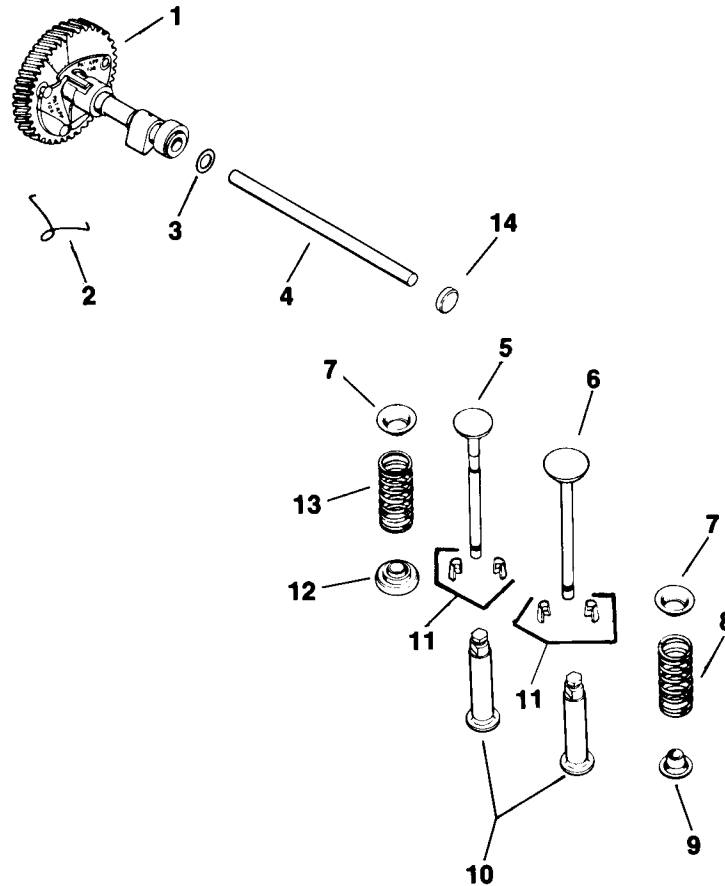
| Index Number | Description Variation Number | Part Number | Index Number | Description Variation Number | Part Number |
|--------------|--|-------------|---|---|-------------|
| 6 | Baffle, inner 286, 287, 289, 290, 297, 298, 300, 302, 304, 305, 306, 313, 314, 315, 322, 323, 327, 330, 331, 341, 500, 501 | 47 063 07 | 13 | Screw, hex. wash. hd. 10-32x7/16" (3) 300, 304, 330 | X-67-64 |
| 7 | Cover, starter 287, 289, 305, 314, 322, 331 | 41 096 25 | 14 | Kit, air duct <i>(Includes Item 4, qty. 1, Item 13, qty. 3)</i> 300, 304 | 47 755 33 |
| 8 | Housing, blower <i>(w/o retractable starter holes — front)</i> 286, 289, 290, 306, 327, 500 | 47 027 37 | 14 | Kit, air duct <i>(Includes Item 4, qty. 2, Item 13, qty. 1)</i> 330 | 47 755 32 |
| 8 | Housing, blower <i>(w/retractable starter holes — front)</i> 287, 302, 322, 323, 331, 500 | 47 027 38 | 15 | Washer, plain 1/4" 300, 304, 322, 323, 330 | X-25-20 |
| 8 | Housing, blower <i>(Remote throttle & choke control holes)</i> 297, 298, 501 | 47 027 42 | 16 | Screw, H.C. sems 5/16-18 x 1-1/4" 300, 304, 330 | X-154-4 |
| 8 | Housing, blower 300 | 47 027 41 | 16 | Screw, H.C. sems 5/16-18 x 1/2" 322, 323 | X-154-6 |
| 8 | Housing, blower <i>(Air cleaner tube hole-left side)</i> 304, 330 | 47 027 40 | 17 | Screw, flange lock 10-24 x 1/4" (2) 313, 315, | 41 086 06 |
| 8 | Housing, blower <i>(Extra weld nut at top of housing)</i> 305, 313, 314, 315, 341 | 47 027 44 | 18 | Deflector, grass 313, 315 | 47 265 01 |
| 9 | Cover, rectifier — regulator 287, 289, 305, 306, 314, 331, 341 | 41 096 23 | 19 | Blade, adjustable (2) 313, 315 | 47 040 02 |
| 9 | Cover, rectifier — regulator 322, 323 | 25 096 01 | 20 | Screw, tapping 8-32 x 3/8" (4) 313, 315 | X-67-59 |
| 10 | Baffle, side air 286, 287, 289, 290, 297, 298, 300, 302, 304, 306, 314, 330, 331, 341, 500, 501 | 47 063 06 | 21 | Lockwasher #8 (4) 313, 315 | X-22-7 |
| 10 | Baffle, side air 305, 313, 315 | 47 063 11 | 22 | Washer, plain 3/16" (4) 313, 315 | 25 468 02 |
| 10 | Baffle, side air 322, 323, 327 | 47 063 12 | Not Illustrated | | |
| 11 | Baffle, head 290, 298, 300, 304, 313, 315, 322 323, 327, 330, 331 | 45 063 08 | Decal, H.P. (black) <i>(Replaced by 25 113 21)</i> 327, 501 | | 47 113 07 |
| 12 | Bracket, air duct 300, 304, 330 | 47 126 23 | Decal, warning (white) 313, 315 | | 52 113 11 |
| | | | Decal, H.P. (white) <i>(Replaced by 47 113 20)</i> 286, 287, 290, 297, 298, 300, 302, 304, 305, 306, 313, 314, 315, 322, 323, 330, 331, 341, 500 | | 47 113 06 |

**Group 3
BREATHER & VENT**



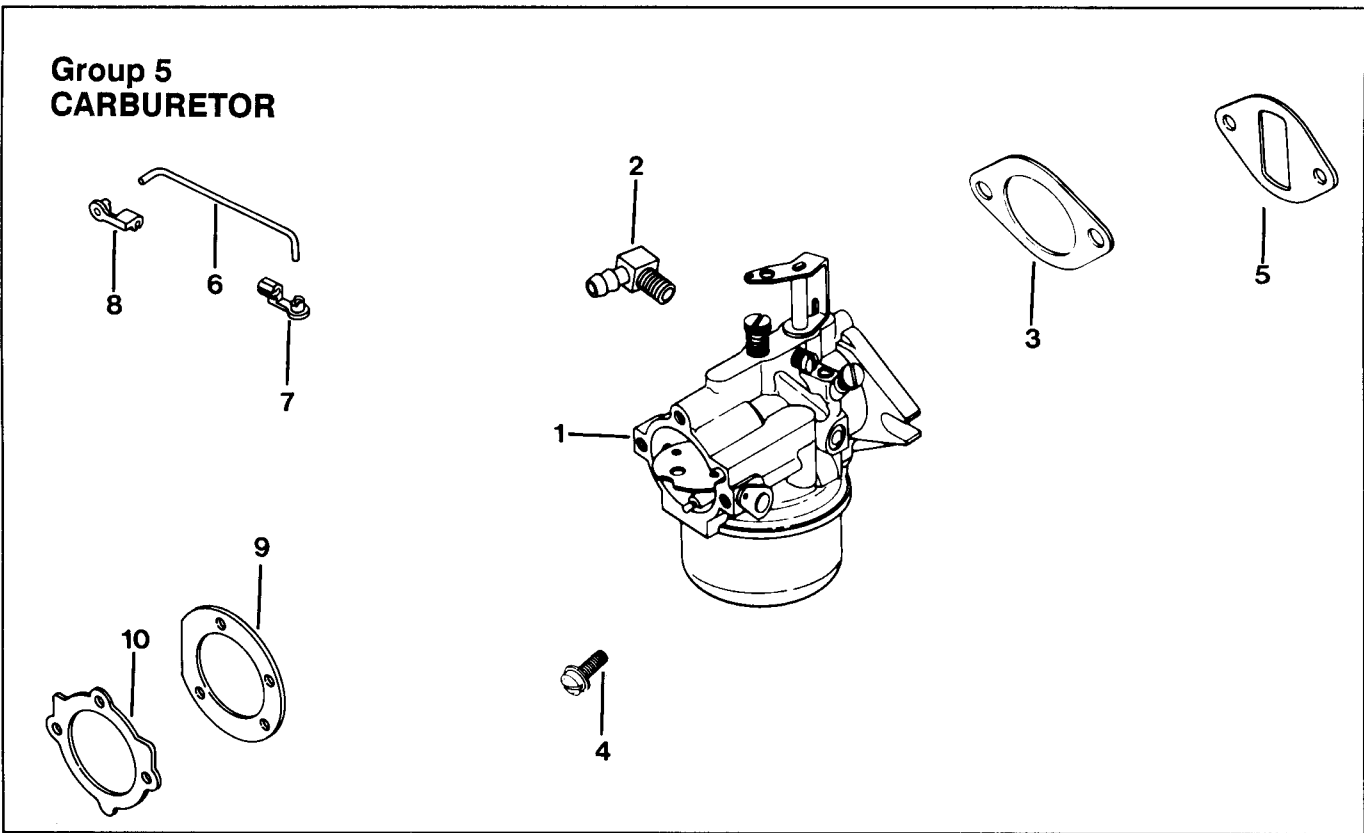
| Index Number | Description Variation Number | Part Number | Index Number | Description Variation Number | Part Number |
|--------------|--|-------------|--------------|--|-------------|
| 1 | Gasket, breather plate 1, 9, 12, 13 | 235048 | 8 | Cover, valve 9 | 275839 |
| 2 | Plate, breather 1, 9, 12, 13 | 235631 | 8 | Cover, valve 12, 13 | 47 096 01 |
| 3 | Reed, breather 1, 9, 12, 13 | 235047 | 9 | Stud 1/4-20 x 3-1/4" | 275220 |
| 4 | Baffle, breather 1, 9 | 235117 | 10 | Palm nut 1/4-20" | X-799-1 |
| 4 | Baffle, breather 12,13 | 270146 | 11 | Hose, breather 3-11/32" lg. 12 | 47 326 03 |
| 5 | Filter, breather 1, 9 | 235118 | 11 | Hose, breather 3-29/32" lg. 13 | 47 326 04 |
| 5 | Filter, breather 12, 13 | 47 050 01 | 12 | Cover, valve assembly (Includes 4, 5) | A-235418-S |
| 6 | Seal, breather 1, 9, 12, 13 | 231032 | 13 | Clamp, hose 1/2" wide (2) | X-426-3 |
| 7 | Gasket, valve cover 1, 9, 12, 13 | 275144 | 14 | Hose, breather 9 | 47 326 02 |

Group 4 CAMSHAFT & VALVES



| Index Number | Description Variation Number | Part Number | Index Number | Description Variation Number | Part Number |
|--------------|---|-------------|--------------|--|-------------|
| 1 | Camshaft assembly (Includes 2) 37, 826, 828 | 47 010 11 | 7 | Retainer, upper spring (2) 37, 39, 826, 828 | 235011 |
| 1 | Camshaft assembly 39 | 47 010 07 | 8 | Spring, intake valve 37, 39, 826 | 235010 |
| 2 | Spring, actuating 37, 826, 828 | 47 089 01 | 9 | Retainer, spring 37, 39, 826 | 230011 |
| 3 | Spacer .005 (A.R.) 37, 39, 826, 828 | 275066 | 10 | Tappet (2) 37, 39, 826, 828 | D-235327 |
| 3 | Spacer .010 (A.R.) 37, 39, 826, 828 | 275067 | 11 | Kit, retainer (2) 37, 39, 826, 828 | 41 755 10 |
| 4 | Pin, camshaft 37, 39, 826, 828 | 47 380 09 | 12 | Rotator 39 | 52 413 01 |
| 5 | Valve, exhaust 37, 39, 826, 828 | 235838 | 12 | Rotator (Replaced by 52 413 01) 826, 828 | 230020 |
| 6 | Valve, intake 37, 39, 826 | 235008 | 13 | Spring, exhaust valve 39, 826, 828 | 235168 |
| 6 | Valve, intake 828 | 235582 | 14 | Plug, cup 1/2" O.D. 37, 39, 826, 828 | X-702-3 |

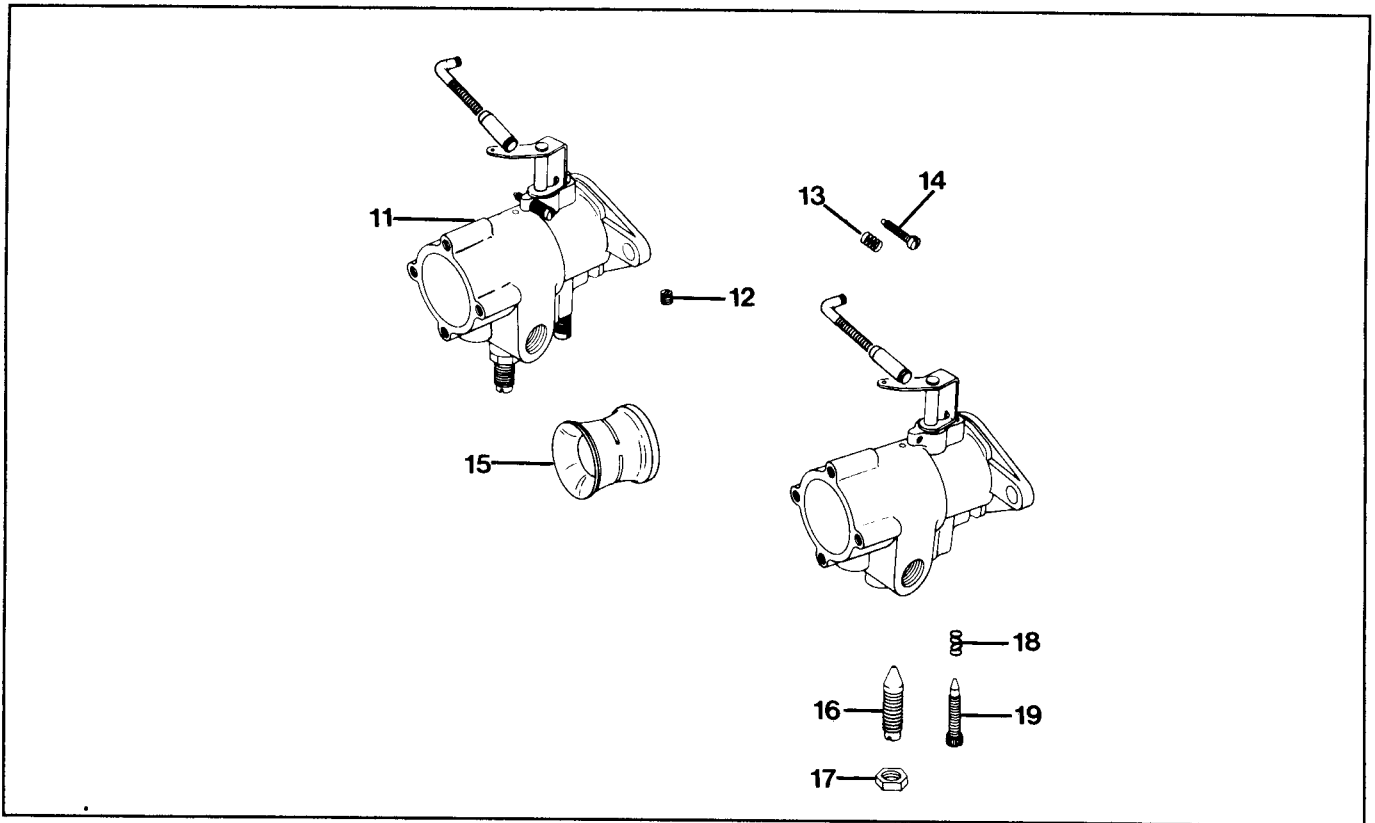
**Group 5
CARBURETOR**



| Index Number | Description Variation Number | Part Number | Index Number | Description Variation Number | Part Number |
|---|--|---|--------------|--|---|
| <p><i>Refer to Section 3 of Carburetor Reference Manual TP-2377-B for breakdown of the following carburetor assemblies:</i></p> | | | | | |
| 1 | Carburetor assembly 1 Before Serial No. 1725405693 use: Adjustable jet assembly After Serial No. 1725405683 use: Kit, fixed jet w/linkage <i>(Includes Carburetor marked 47 053 67* and 3, 5, 6, 7, 8, 10)</i> - or use - Kit, variable jet w/linkage <i>(Includes Carburetor marked 47 053 88* and 3, 5, 6, 7, 8, 10)</i> | 47 053 13 47 853 02 47 853 22 | 1 | Carburetor assembly 156, 300 Before Serial No. 1727207134 use: Adjustable jet assembly <i>(Includes 9)</i> After Serial No. 1727207133 use: Kit, fixed jet <i>(Includes Carburetor marked 47 053 74* and 3, 9)</i> - or use - Kit, variable jet <i>(Includes Carburetor marked 47 053 91* and 3, 9)</i> | 47 053 40 47 853 10 47 853 25 |
| 1 | Carburetor assembly 144, 153 Before Serial No. 1725300013 use: Adjustable jet assembly <i>(Includes 9)</i> After Serial No. 1725300003 use: Kit, fixed jet w/linkage <i>(Includes Carburetor marked 47 053 65* and 3, 5, 6, 7, 8, 9)</i> - or use - Kit, variable jet w/linkage <i>(Includes Carburetor marked 47 053 86* and 3, 5, 6, 7, 8, 9)</i> | 47 053 62 47 853 09 47 853 20 | 1 | Carburetor assembly 157 Before Serial No. 1726700013 use: Adjustable jet assembly <i>(Includes 10)</i> After Serial No. 1726700003 use: Kit, fixed jet <i>(Includes Carburetor marked 47 053 84* and 3, 10)</i> - or use - Kit, variable jet <i>(Includes Carburetor marked 47 053 93* and 3, 10)</i> | 47 053 80 47 853 18 47 853 27 |

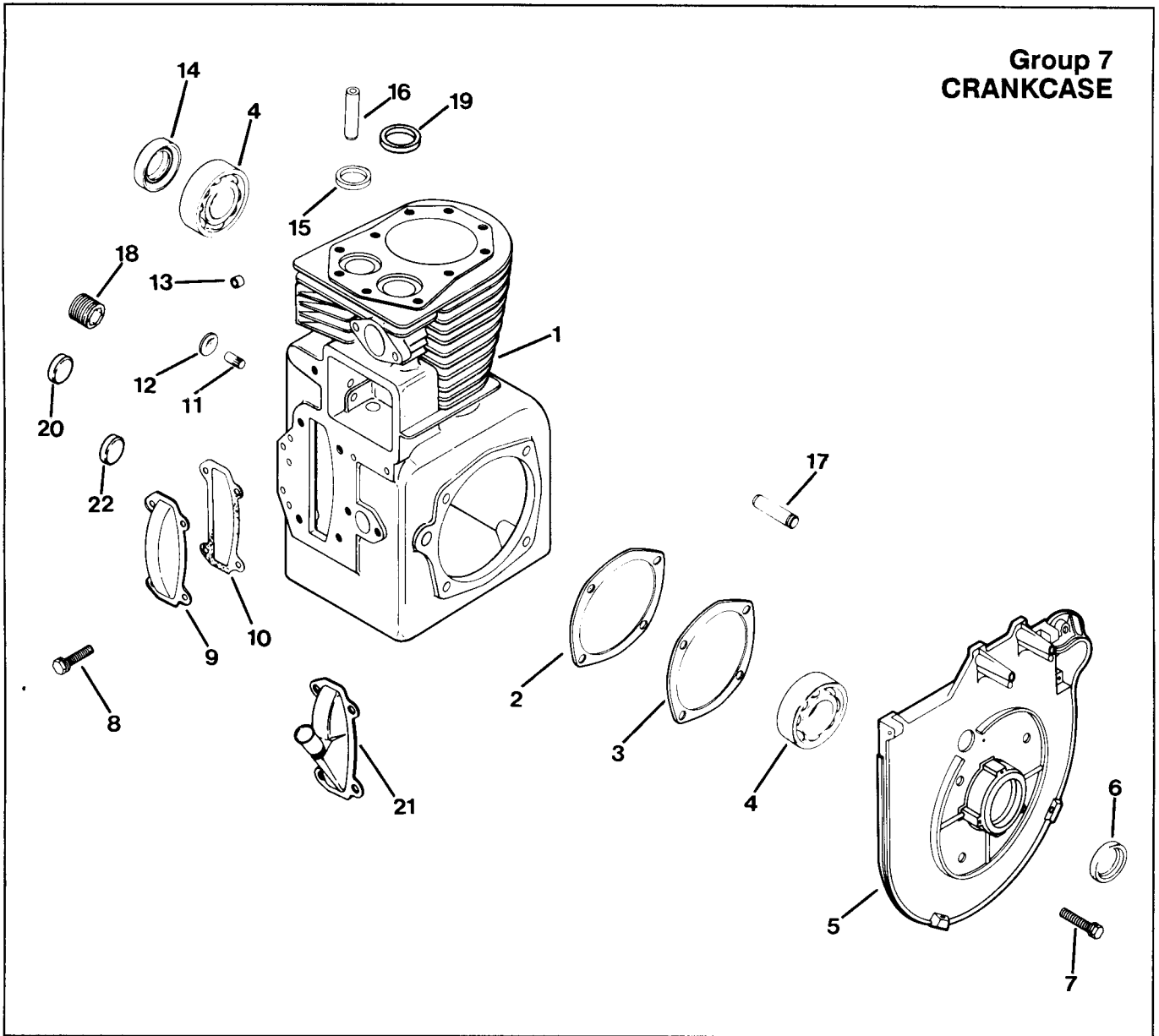
| Index Number | Description Variation Number | Part Number | Index Number | Description Variation Number | Part Number |
|--------------|---|--|--------------|--|-------------|
| 1 | Carburetor assembly 163 Kit, variable jet w/linkage (Includes Carburetor marked 47 053 88* and 3, 5, 6, 7, 8) | 47 853 22 | 3 | Gasket, carburetor 1, 144, 153, 156, 157, 163, 300 | 47 049 01 |
| 1 | Carburetor assembly 164 Before Serial No. 1727207134 use: Adjustable jet assembly — or use — Kit fixed jet (Includes Carburetor marked 47 053 74* and 3, 9) — or use — Kit, adjustable jet (Includes Carburetor marked 47 053 91* and 3, 9) After Serial No. 1727207124 use: Carburetor assembly (Includes Carburetor marked B-236448*) (See next page) | 47 053 40 47 853 25 B-237199 | 4 | Screw, sltd. hd. 5/16-18 x 1" (2) 1, 144, 153, 156, 157, 163, 164, 300 | X-770-1 |
| 2 | Connector, 90° hose (For 1/4" I.D. rubber hose) 1, 144, 153, 156, 157, 163, 300 | 25 155 02 | 5 | Gasket, carburetor 1, 144, 153, 163, 164 | 271030 |
| | | | 6 | Linkage, governor 1 | 47 079 11 |
| | | | 6 | Linkage, governor 144, 153 | 47 079 10 |
| | | | 7 | Bushing, linkage (white) 1, 144, 153 | 47 158 07 |
| | | | 8 | Bushing, linkage (black) 1, 144, 153 | 25 158 09 |
| | | | 9 | Gasket, air cleaner 144, 153, 156, 300 | 45 041 07 |
| | | | 10 | Gasket, air cleaner 1, 157 | 275341 |

* Marked numbers are for information only,
not available separately.



| Index Number | Description Variation Number | Part Number | Index Number | Description Variation Number | Part Number |
|--------------|---|-----------------|--------------|---|---------------|
| 11 | Carburetor assembly <i>(Includes 12 – 19) (Use after engine Serial No. 1727207124)</i> 164 | B-237199 | 16 | Screw, load adjustment <i>(Discontinued not available at Kohler Co.)</i> 164 | 236552 |
| 12 | Screw, venturi set <i>(Discontinued not available at Kohler Co.)</i> 164 | X-60-1 | 17 | Nut, load adjustment <i>(Discontinued not available at Kohler Co.)</i> 164 | 236553 |
| 13 | Spring, throttle lever adjusting screw 164 | 232555 | 18 | Spring, idle adjustment 164 | 234208 |
| 14 | Screw, throttle lever adjusting 164 | 232556 | 19 | Screw, idle adjustment 164 | 234206 |
| 15 | Venturi 164 | 236666 | | | |

**Group 7
CRANKCASE**



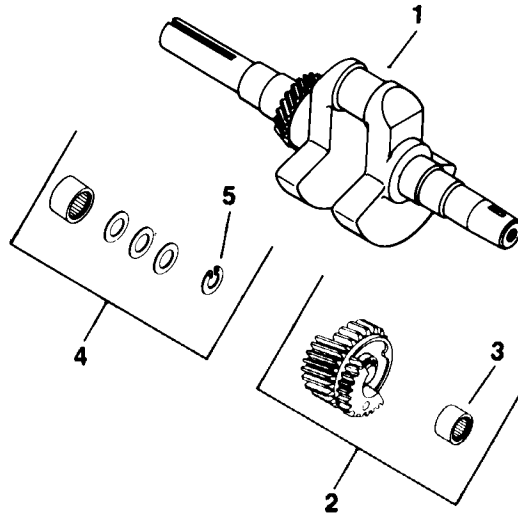
| Index Number | Description Variation Number | Part Number | Index Number | Description Variation Number | Part Number |
|--------------|--|-------------|--------------|--|-------------|
| 1 | Cylinder block (Service w/SHORT BLOCK or MINIBLOCK. Refer to M12 Selection Guide TP-2250-B.) | | 5 | Plate, bearing 417, 418 | 47 146 11 |
| 2 | Gasket, shim (A.R.) 375, 378, 381, 383, 394, 397, 401, 402, 404, 405, 406, 411, 412, 417, 418 | 47 422 05 | 6 | Seal, front oil 375, 378, 381, 383, 394, 397, 401, 402, 404, 405, 406, 411, 417, 418 | 47 032 06 |
| 3 | Gasket, bearing plate 375, 378, 381, 383, 394, 397, 401, 402, 404, 405, 406, 411, 412, 417, 418 | 47 041 09 | 7 | Screw, H.C. sems 3/8-16 x 1" (4) 375, 378, 381, 383, 394, 397, 401, 402, 404, 405, 406, 411, 412, 417, 418 | X-159-2 |
| 4 | Bearing, ball (2) 375, 378, 381, 383, 394, 397, 401, 402, 404, 405, 406, 411, 412, 417, 418 | 235376 | 8 | Screw, H.C. sems 1/4-20 x 5/8" (4) 375, 378, 381, 401, 404, 411, 412, 417, 418 | X-132-5 |
| 5 | Plate, bearing (Replaced by 47 146 11) 375, 378, 381, 383, 394, 397, 401, 402, 404, 405, 406, 411 | 47 146 07 | 8 | Screw, H.C. sems 1/4-20 x 1/2" (4) 383, 394, 397, 402, 405, 406 | X-132-6 |
| | | | 9 | Cover, camshaft 375, 378, 381, 383, 394, 397, 401, 405, 406, 411, 412, 417, 418 | 235026 |

**CRANKCASE
(Cont'd)**

M12

| Index Number | Description Variation Number | Part Number | Index Number | Description Variation Number | Part Number |
|---------------------|--|--------------------|------------------------|---|--------------------|
| 10 | Gasket, camshaft cover 375, 378, 381, 383, 394, 397, 401, 402, 404, 405, 406, 411, 412, 417, 418 | 235025 | 17 | Shaft, balance gear (2) 375, 378, 381, 383, 394, 397, 401, 404, 405, 406, 412, 418 | 236559 |
| 11 | Shaft, governor gear 375, 378, 381, 383, 394, 397, 401, 402, 404, 405, 406, 411, 412, 417, 418 | 235125-S | 18 | Plug, hex. ctsk. 3/4" N.P.T.F. 397, 402 | 47 139 01 |
| 12 | Plug, expansion 375, 378, 381, 383, 394, 397, 401, 402, 404, 405, 406, 411, 412, 417, 418 | X-230-11 | 19 | Insert, intake valve 402, 404 | 230265 |
| 13 | Bearing, governor cross shaft 375, 378, 381, 383, 394, 397, 401, 402, 404, 405, 406, 411, 412, 417, 418 | 234866 | 20 | Plug, cup 1-1/16" 397, 404 | X-702-14 |
| 14 | Seal, rear oil 375, 378, 381, 383, 394, 397, 401, 402, 404, 405, 406, 411, 412, 417, 418 | 47 032 07 | 21 | Cover, camshaft 404 | 237623 |
| 15 | Insert, exhaust valve 375, 378, 381, 383, 394, 397, 401, 402, 404, 405, 406, 411, 412, 417, 418 | 230170 | 22 | Plug, cup (2) 411, 417 | X-702-3 |
| 16 | Guide, valve (2) 375, 378, 381, 383, 394, 397, 401, 402, 404, 405, 406, 411, 412, 417, 418 | 235007-S | Not Illustrated | | |
| | | | | Washer, plain 1/4" <i>(Hold ground lead)</i> 404 | X-25-63 |

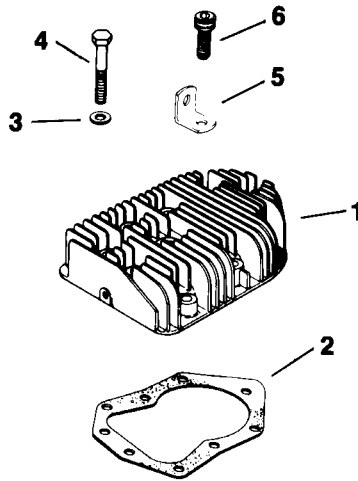
**Group 8
CRANKSHAFT**



| Index Number | Description Variation Number | Part Number | Index Number | Description Variation Number | Part Number |
|--------------|--|-------------|--------------|---|-------------|
| 1 | Kit, crankshaft (Replaced by 47 142 44) (1" dia. x 6-5/8") 10 | 47 142 23* | 1 | Kit, crankshaft (1" dia. x 5-5/32") 168 | 47 142 29* |
| 1 | Kit, crankshaft (1" dia. x 5-9/32") 31 | 47 142 26* | 1 | Kit, crankshaft (1-1/8" dia. x 5-1/2") 169 | 45 142 25* |
| 1 | Kit, crankshaft (1-1/8" dia. x 5-1/2", Standard basic). 148 | 47 142 16* | 1 | Kit, crankshaft (1-1/8" dia. x 5-1/2") 170 | 47 142 45* |
| 1 | Kit, crankshaft (Tapered end x 5-7/8", Basic generator) 157, 173 | 47 142 37* | 1 | Kit, crankshaft (1" dia. x 4-23/32") 172 | 47 142 30* |
| 1 | Kit, crankshaft (1" dia. x 5-5/32", Basic pump) 158 | 47 142 35* | 1 | Kit, crankshaft (1" dia. x 4-31/32") 174 | 47 142 27* |
| 1 | Kit, crankshaft (1-7/16" dia. x 4-5/32", Basic gear reduction) 159 | 47 142 20* | 2 | Gear assembly (2) (Includes 3) 31, 148, 157, 158, 159, 161, 162, 167, 168, 169, 170, 172, 174 | 45 043 03 |
| 1 | Kit, crankshaft (1-1/8" dia. x 4-1/2") 161 | 47 142 32* | 3 | Bearing, needle (2) 31, 148, 157, 158, 159, 161, 162, 167, 168, 169, 170, 172, 174 | 47 030 01 |
| 1 | Kit, crankshaft (1" dia. x 4-5/8") 162 | 47 142 34* | 4 | Kit, spacer (Includes 5) 31, 148, 157, 158, 159, 161, 162, 167, 168, 169, 170, 172, 174 | 47 755 01 |
| 1 | Kit, crankshaft (3/4" step - 7/8" step - 1-1/8" step x 4-29/32") 167 | 47 142 25* | 5 | Retainer (2) 31, 148, 157, 158, 159, 161, 162, 167, 168, 169, 170, 172, 174 | X-269-34 |

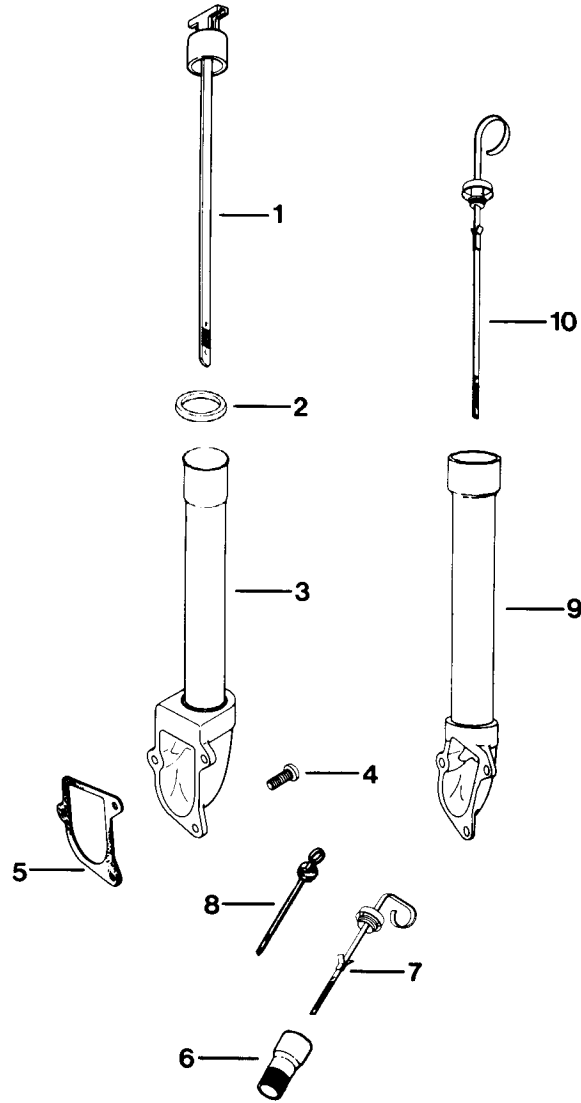
*Crankshaft contains internal fastening threads. Kits include flywheel fastening hardware (a woodruff key, washer, screw and drive cup bushing). See flywheel group for part numbers. Crankshaft dimensions listed are for PTO end.

**Group 9
CYLINDER HEAD**



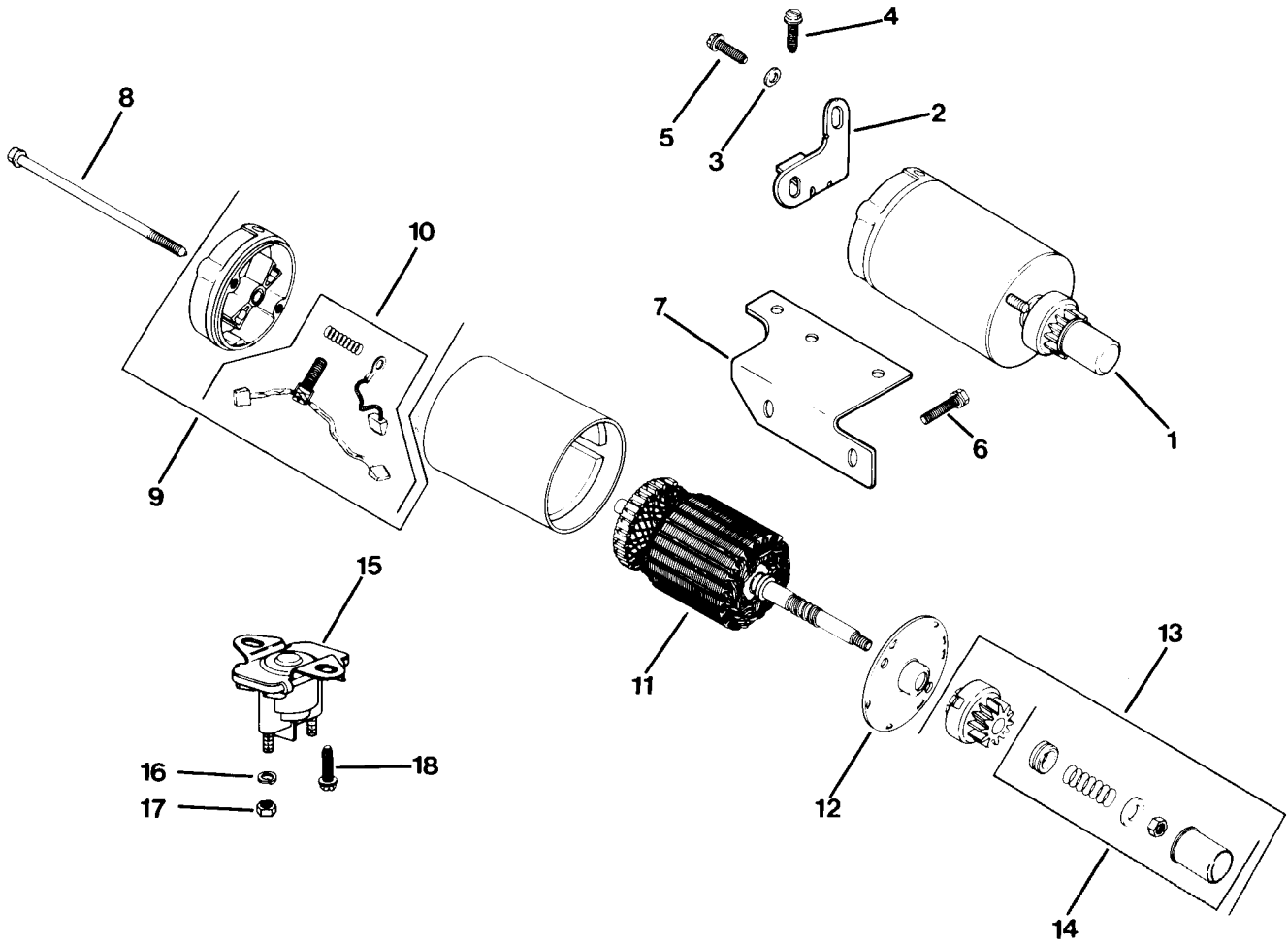
| Index Number | Description Variation Number | Part Number | Index Number | Description Variation Number | Part Number |
|--------------|--|-------------|--------------|---------------------------------|-------------|
| 1 | Head, cylinder 105 | 47 015 06 | | | |
| 2 | Gasket, head (Replaced by 47 041 15) 105 | 47 041 10 | | | |
| 3 | Washer, plain 3/8" (9) 105 | 270889 | | | |
| 4 | Screw, H.C. 3/8-16 x 1-1/2" (8) 105 | 270158 | | | |
| 5 | Strap, lifting 105 | 47 445 02 | | | |
| 6 | Screw, hex. hd. 3/8-16 x 1" 105 | 47 086 17 | | | |

**Group 10
DIPSTICK**

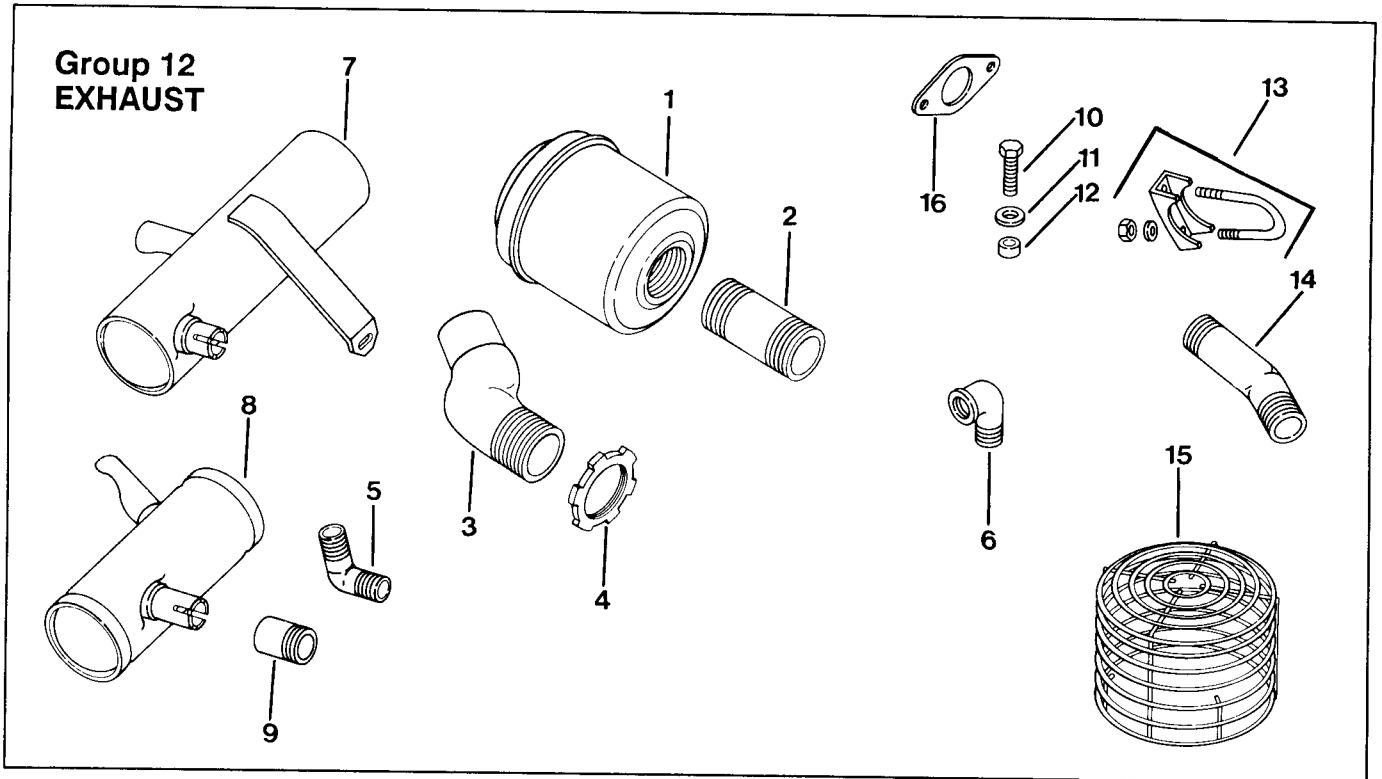


| Index Number | Description Variation Number | Part Number | Index Number | Description Variation Number | Part Number |
|--------------|---|-------------|--------------|---|-------------|
| 1 | Dipstick (15-5/8" blade) 68 | 47 038 26 | 6 | Tube, oil fill (1-13/16" lg.) 28 | 47 123 08 |
| 1 | Dipstick (15-3/8" blade) 69 | 47 038 27 | 7 | Dipstick (4-3/4" blade) 28 | 237013 |
| 2 | O-ring (51/64" I.D.) 68, 69 | 41 153 01 | 8 | Dipstick (8-31/32" blade) (Tube included w/camshaft cover) 48 | 237932 |
| 3 | Adapter, oil fill 68, 69 | 47 029 06 | 9 | Tube, oil fill (8-5/8" lg.) 65 | 47 180 05 |
| 4 | Screw, F.H. sems 10-24 x 1/2" (3) 65, 68, 69 | X-131-2 | 10 | Dipstick (13-7/64" blade) 65 | 45 272 04 |
| 5 | Gasket, adapter 65, 68, 69 | 237064 | | | |

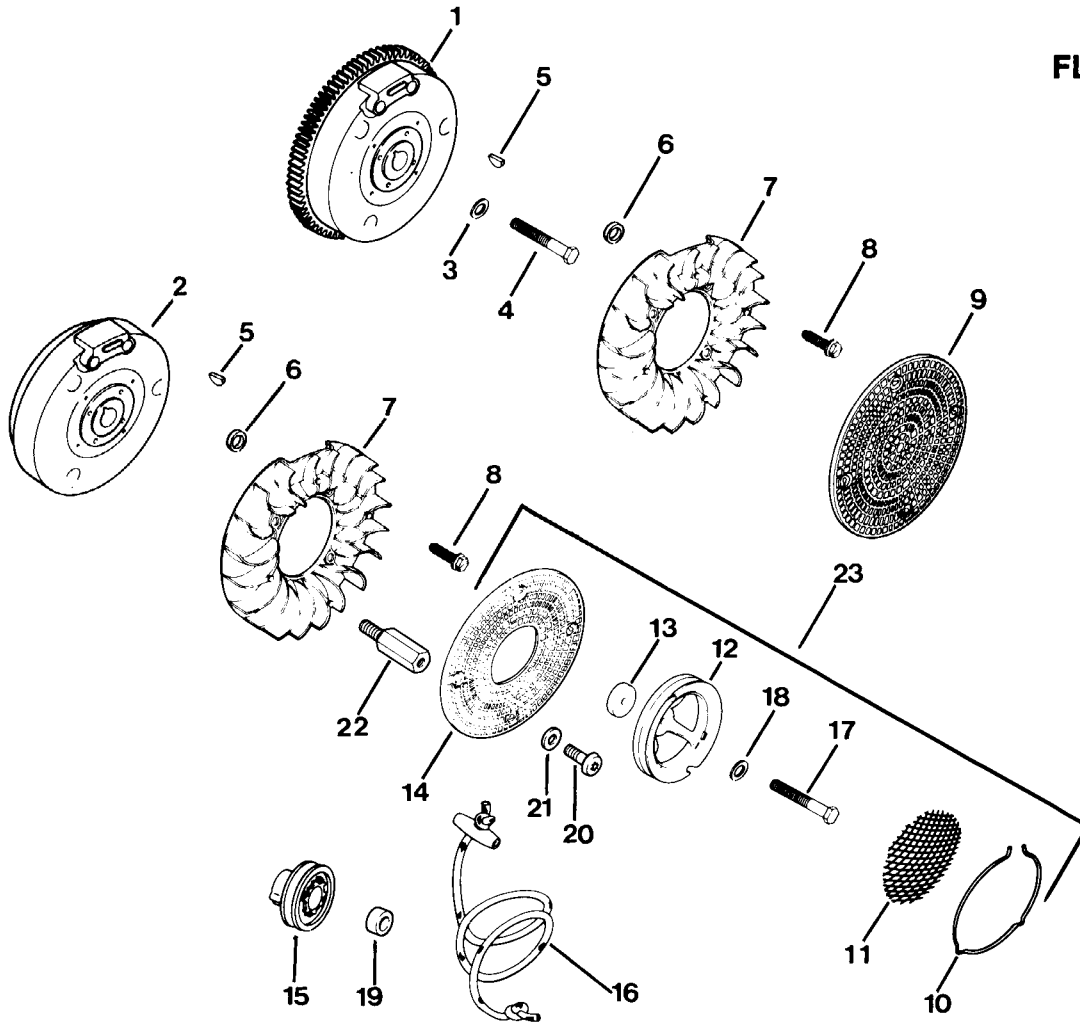
Group 11
ELECTRIC START



| Index Number | Description Variation Number | Part Number | Index Number | Description Variation Number | Part Number |
|--------------|---|-------------|------------------------|---|-------------|
| 1 | Starter assembly (Includes 8 - 14) 76, 77, 78, 79, 80, 83, 84, 300 | 41 098 04 | 14 | Kit, drive parts 76, 77, 78, 79, 80, 83, 84, 300 | 47 755 13 |
| 2 | Brace, tail 76, 77, 78, 79, 80, 83, 84, 300 | 47 126 17 | 15 | Solenoid (one tab terminal) 76, 80, 84, 300 | 52 435 01 |
| 3 | Washer, plain 1/4" 76, 77, 84, 300 | X-25-78 | 15 | Solenoid (two tab terminals) 83 | 45 435 01 |
| 4 | Screw, hex. wash. hd. 1/4-20 x 3/8" 77, 78, 79, 80, 83, 300 | X-67-83 | 16 | Washer, lock 1/4" (2) 76, 80, 83, 84, 300 | X-20-1 |
| 4 | Screw, hex. wash. hd. 1/4-20 x 3/4" 78, 79, 80, 83 | X-67-62 | 17 | Nut, hex. 1/4 - 20" (2) 76, 80, 83, 84, 300 | X-81-1 |
| 5 | Screw, hex. wash. hd. 1/4-20 x 3/4" (2) 76, 77, 84, 300 | X-67-62 | 18 | Screw, hex. wash. hd. 1/4 - 20 x 3/8" (2) 76, 80, 83, 84, 300 | X-67-83 |
| 6 | Screw, H.C. sems 3/8-16 x 1" (2) 78, 79, 80, 83 | X-159-2 | Not Illustrated | | |
| 7 | Bracket, solenoid 78, 79, 80, 83 | 47 126 29 | | Tag, caution 76, 77, 78, 79, 80, 83, 84, 300 | 25 450 03 |
| 8 | Bolt, thru 1/4-20 x 5-1/16" (2) 76, 77, 78, 79, 80, 83, 84, 300 | 41 086 19 | | Lubricant 76, 77, 78, 79, 80, 83, 84, 300 | 52 357 01 |
| 9 | Cap, commutator end assembly (Includes 10) 76, 77, 78, 79, 80, 83, 84, 300 | 41 227 04 | | Lead, black, starter to solenoid (6" - 6 gauge - insulated barrel eyelet terminals) 76, 80, 83, 84 | 52 518 03 |
| 10 | Kit, brush 76, 77, 78, 79, 80, 83, 84, 300 | 52 755 15 | | Lead, red, solenoid ground (3" - 18 gauge - insulated barrel eyelet, insulated push-on tab terminals) (Use on solenoids w/two tab terminals) 76, 80, 84, 300 | 25 518 20 |
| 11 | Armature 76, 77, 78, 79, 80, 83, 84, 300 | 45 170 02 | | Decal, warning (white) 79 | 237447 |
| 12 | Cap, drive end 76, 77, 78, 79, 80, 83, 84, 300 | 41 227 03 | | Decal, 12 volt warning (white) 79 | 277356 |
| 13 | Kit, drive (Includes 14) 76, 77, 78, 79, 80, 83, 84, 300 | 47 755 07 | | | |

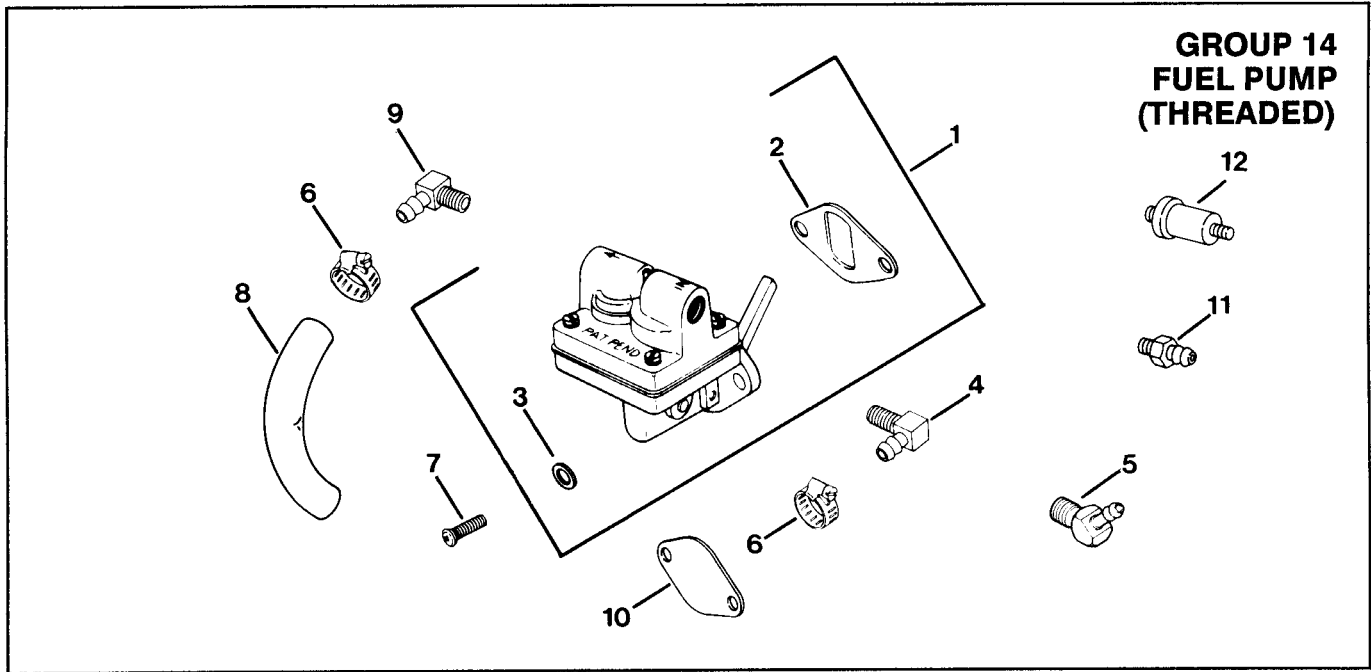


| Index Number | Description Variation Number | Part Number | Index Number | Description Variation Number | Part Number |
|--------------|---|-------------|--------------|------------------------------------|-------------|
| 1 | Muffler 1, 11, 53, 300, 305 | 275679 | 9 | Pipe 2-1/4" 303 | X-229-11 |
| 2 | Nipple 3" 1 | 41 136 02 | 10 | Screw, 5/16-18 x 1-3/8" 50, 302 | 41 086 15 |
| 2 | Nipple 6" 304, 305 | 25 136 05 | 11 | Washer, 5/16" 50, 302 | X-25-20 |
| 3 | Elbow, exhaust 39, 50, 302 | 47 054 01 | 12 | Spacer 50, 302 | X-400-71 |
| 4 | Nut, lock 11, 39, 45, 50, 53, 300, 302 | AC-1536 | 13 | Clamp 50, 302 | 237548 |
| 5 | Elbow, exhaust 11 | 231820 | 13 | Clamp 303, 304 | 47 237 04 |
| 6 | Elbow, exhaust 45 | 230600 | 14 | Elbow, exhaust 53 | 236347 |
| 7 | Muffler 50, 301, 302 | 47 068 15 | 15 | Guard, muffler 53 | 25 314 01 |
| 8 | Muffler 303, 304 | 47 068 14 | 16 | Gasket, exhaust 306 | 235122 |

**Group 13
FLYWHEEL**


| Index Number | Description Variation Number | Part Number | Index Number | Description Variation Number | Part Number |
|--------------|---|-------------|--------------|---|-------------|
| 1 | Flywheel 216, 224, 283, 618 | 47 025 53 | 5 | Key, woodruff 3/16 x 1" 215, 216, 219, 223, 224, 244, 283, 284, 285, 286, 290, 617, 618 | X-46-3 |
| 1 | Flywheel 223 | 47 025 57 | 6 | Spacer 17/64" I.D., 3/8" O.D., 15/64" lg. (4) 215, 216, 219, 223, 224, 244, 283, 284, 285, 286, 290, 617, 618 | 25 112 04 |
| 1 | Flywheel 244 | 47 025 58 | 7 | Fan (w/4 knobs for plastic grass screen) 215, 216, 219, 223, 224, 244, 283, 285, 286, 617, 618 | 25 157 01 |
| 1 | Flywheel (Replaced by 47 025 63) 285, 286 | 47 025 62 | 7 | Fan (w/o knobs for plastic grass screen) 284, 290 | 25 157 02 |
| 2 | Flywheel 215, 284, 290 | 47 025 56 | 8 | Screw, hex. wash. hd. 1/4-20 x 5/8" (4) 215, 216, 219, 223, 224, 244, 283, 284, 285, 286, 290, 617, 618 | 25 086 21 |
| 2 | Flywheel 219, 617 | 47 025 54 | 9 | Screen, grass 216, 219 | 25 162 01 |
| 3 | Washer, plain 13/32" I.D., 1-3/8" O.D. (Replaced by 52 468 15) 215, 216, 219, 223, 224, 244, 284, 285, 286, 290, 618 | 52 114 02 | 10 | Retainer 283, 617 | 230363 |
| 4 | Screw, hex. mach. 3/8-24 x 1-1/8" 215, 216, 219, 223, 224, 244, 284, 285, 286, 290, 618 | 25 086 24 | | | |

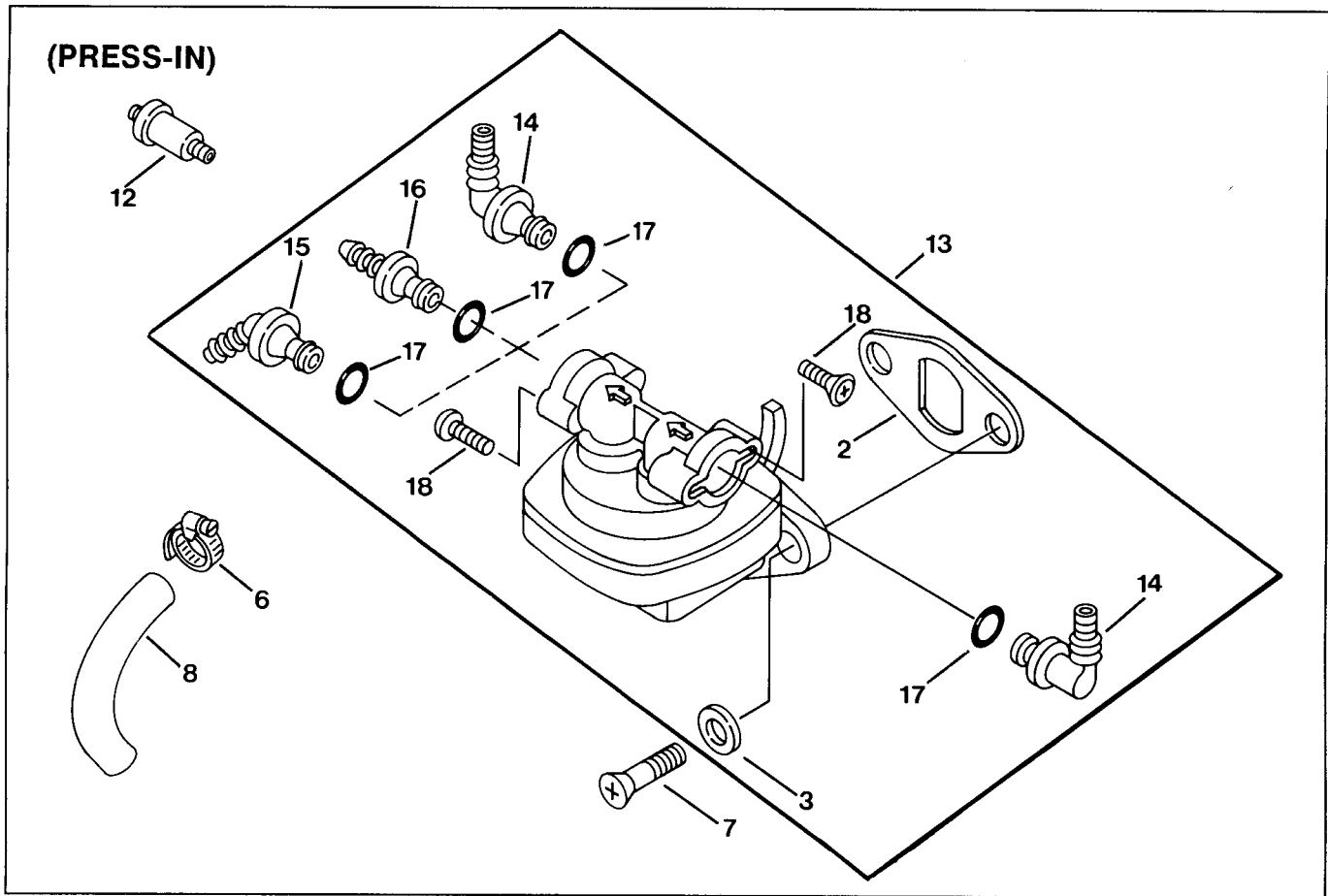
| Index Number | Description Variation Number | Part Number | Index Number | Description Variation Number | Part Number |
|---------------------|---|--------------------|------------------------|---|--------------------|
| 11 | Screen 283, 617 | 230098 | 17 | Screw, hex. mach. 3/8-24 x 1-11/16" 283, 617 | 25 086 25 |
| 12 | Pulley, rope start 283, 617 | 47 093 01 | 18 | Washer, plain 13/32" I.D., 1-1/4" O.D. 283, 617 | 52 114 01 |
| 13 | Spacer 13/32" I.D., 1-3/4" O.D., 7/16" lg. 283, 617 | 47 112 18 | 19 | Bushing 215, 223, 284 | 47 158 05 |
| 14 | Screen, grass (3-5/16" hole) <i>(Replaced by 25 162 02)</i> 215, 244, 283, 284, 285, 286 | 47 162 32 | 20 | Screw, truss hd. nylok 1/4-20 x 5/8" (4) 290 | 47 086 08 |
| 14 | Screen, grass (3-1/2" hole) (plastic) 223, 617, 618 | 41 162 02 | 21 | Washer, plain 17/64" (4) 290 | X-25-52 |
| 14 | Kit, grass screen (metal) <i>(Includes 20, 21, 22)</i> 290 | 47 755 40 | 22 | Stud, hex. (4) 290 | 47 072 13 |
| 15 | Kit, front drive cup <i>(Includes 3)</i> 223 | 52 755 61 | 23 | Kit, rope start pulley <i>(Includes 10-14, 16-18 and decal 25 113 06)</i> 283, 617 | 47 755 29 |
| 16 | Rope 283, 617 | A-230099 | Not Illustrated | | |
| | | | | Decal, rope start pulley 283, 617 | 25 113 06 |



**GROUP 14
FUEL PUMP
(THREADED)**

| Index Number | Description Variation Number | Part Number | Index Number | Description Variation Number | Part Number |
|--------------|--|-------------|--------------|---|-------------|
| 1 | Pump, fuel assembly (w/threaded fittings) <i>(Replaced by 47 559 06)</i> 51, 302 | 47 559 01 | 7 | Screw, pozidriv F.H. sems 1/4-20 x 3/4" (2) 4, 51, 59, 70, 82, 91, 92, 95, 300, 301, 302 | X-174-2 |
| 1 | Pump, fuel assembly (w/threaded fittings) <i>(Replaced by 47 559 08)</i> <i>(Includes 2, 3)</i> 59, 70, 82, 92, 300, 301 | 47 559 04 | 8 | Line, fuel 1/4" I.D., 5-1/2" lg. 51, 59, 70, 82 91, 92, 93, 300, 301, 302 | 25 353 01 |
| 1 | Pump, fuel assembly (w/threaded fittings) <i>(Replaced by 47 559 07)</i> <i>(Includes 2, 3)</i> 95 | 47 559 02 | 8 | Line, fuel 1/4" I.D., 9" lg. 91 | 25 353 10 |
| 2 | Gasket, fuel pump 4, 51, 59, 70, 82, 91, 92, 93, 95, 300, 301, 302 | 25 041 05 | 8 | Line, fuel 1/4" I.D., 6-1/4" lg. 95 | 25 353 04 |
| 3 | Washer, plain 1/4" (2) 51, 59, 70, 82, 91, 92, 93, 95, 300, 301, 302 | X-25-63 | 8 | Line, fuel 1/4" I.D., 3" lg. 95, 301 | 25 353 02 |
| 4 | Connector, 90° threaded <i>(For 1/4" I.D. rubber hose)</i> 51, 59, 70, 82, 91, 92, 95, 300, 301, 302 | 25 155 02 | 9 | Connector, 90° threaded <i>(For 3/16" I.D. rubber hose)</i> 70 | X-391-11 |
| 5 | Connector, 45° threaded <i>(For 1/4" I.D. rubber hose)</i> 82, 300 | 47 155 12 | 10 | Cover, fuel pump 4 | 240282 |
| 6 | Clamp, hose (2) 51, 59, 70, 82, 92, 93, 300, 302 | X-426-9 | 11 | Connector, straight threaded <i>(For 1/4" I.D. rubber hose)</i> 95 | X-380-2 |
| 6 | Clamp, hose (4) 84, 87, 91, 95, 301 | X-426-9 | 12 | Filter, fuel 91, 95, 301, 303 | 25 050 01 |

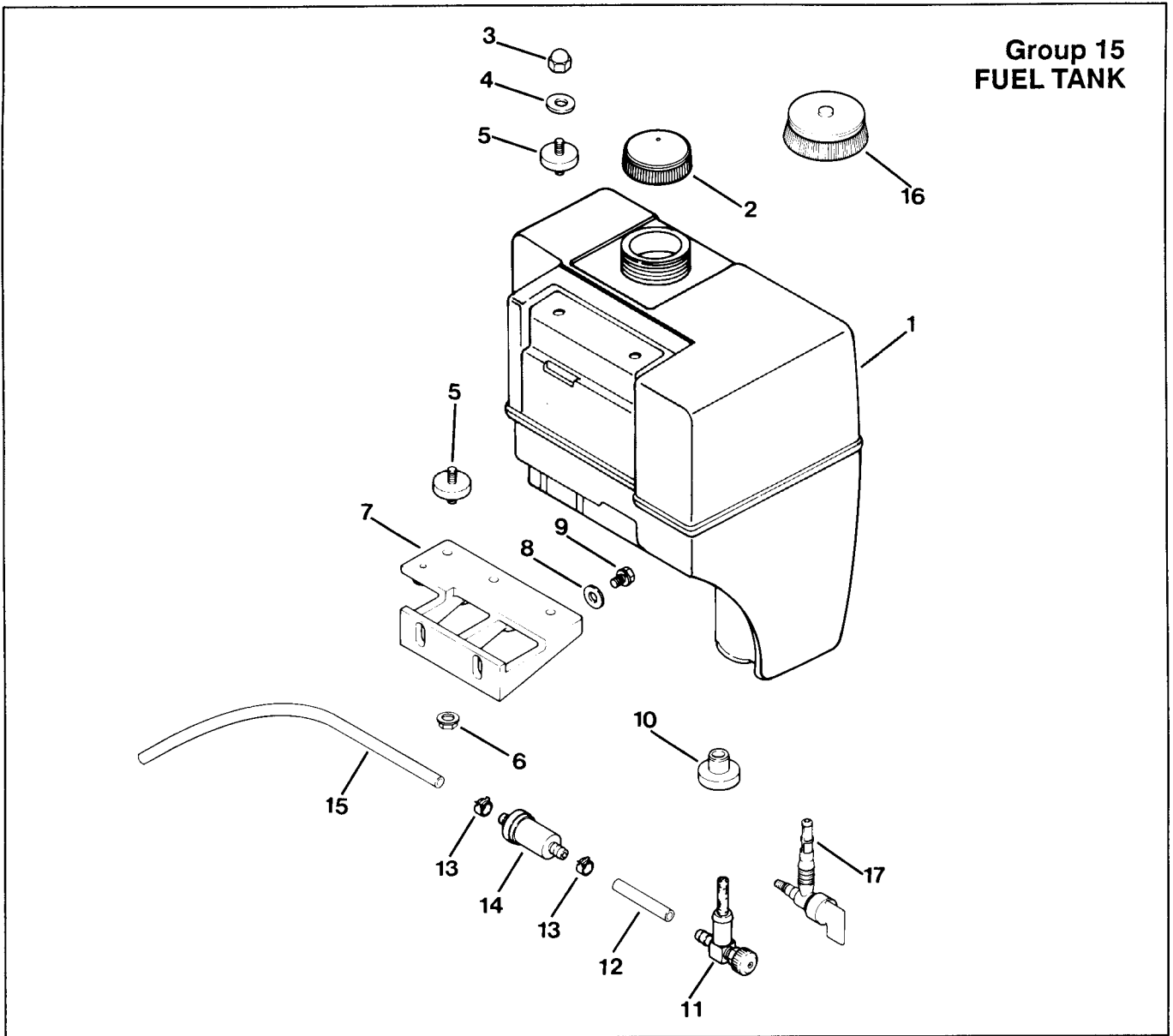
Note: order fuel pump parts according to style of pump used.



| Index Number | Description Variation Number | Part Number | Index Number | Description Variation Number | Part Number |
|--------------|---|-------------|--------------|---------------------------------|-------------|
| 13 | Pump, fuel assembly (w/press-in fittings) <i>(Flow arrows go left to right)</i> <i>(Includes 2-8)</i> | | | | |
| | 51, 302 | 47 559 06 | | | |
| 13 | Pump, fuel assembly (w/press-in fittings) <i>(Illustrated)</i> <i>(Flow arrows go right to left as shown)</i> <i>(Includes 2-8)</i> | | | | |
| | 59, 91, 92, 93, 300, 301 | 47 559 08 | | | |
| 14 | Connector, 90° press fit w/o-ring (A.R.) <i>(For 1/4" I.D. rubber hose)</i> | | | | |
| | 59, 91, 92, 93, 95, 300, 301 | 25 294 01 | | | |
| 15 | Connector, 45° press fit w/o-ring (A.R.) <i>(For 1/4" I.D. rubber hose)</i> | | | | |
| | 51, 59, 92, 93, 300, 301, 302 | 25 294 02 | | | |
| 16 | Connector, straight press fit w/o-ring (A.R.) <i>(For 1/4" I.D. rubber hose)</i> | | | | |
| | 51, 59, 95, 301, 302 | 25 294 03 | | | |
| 17 | O-ring | | | | |
| | 51, 59, 91, 92, 93, 95, 300, 301, 302 | 25 153 01 | | | |
| 18 | Screw, tapping (2) | | | | |
| | 51, 59, 91, 92, 93, 95, 300, 301, 302 | 25 086 35 | | | |

Note: order fuel pump parts according to style of pump used.

**Group 15
FUEL TANK**



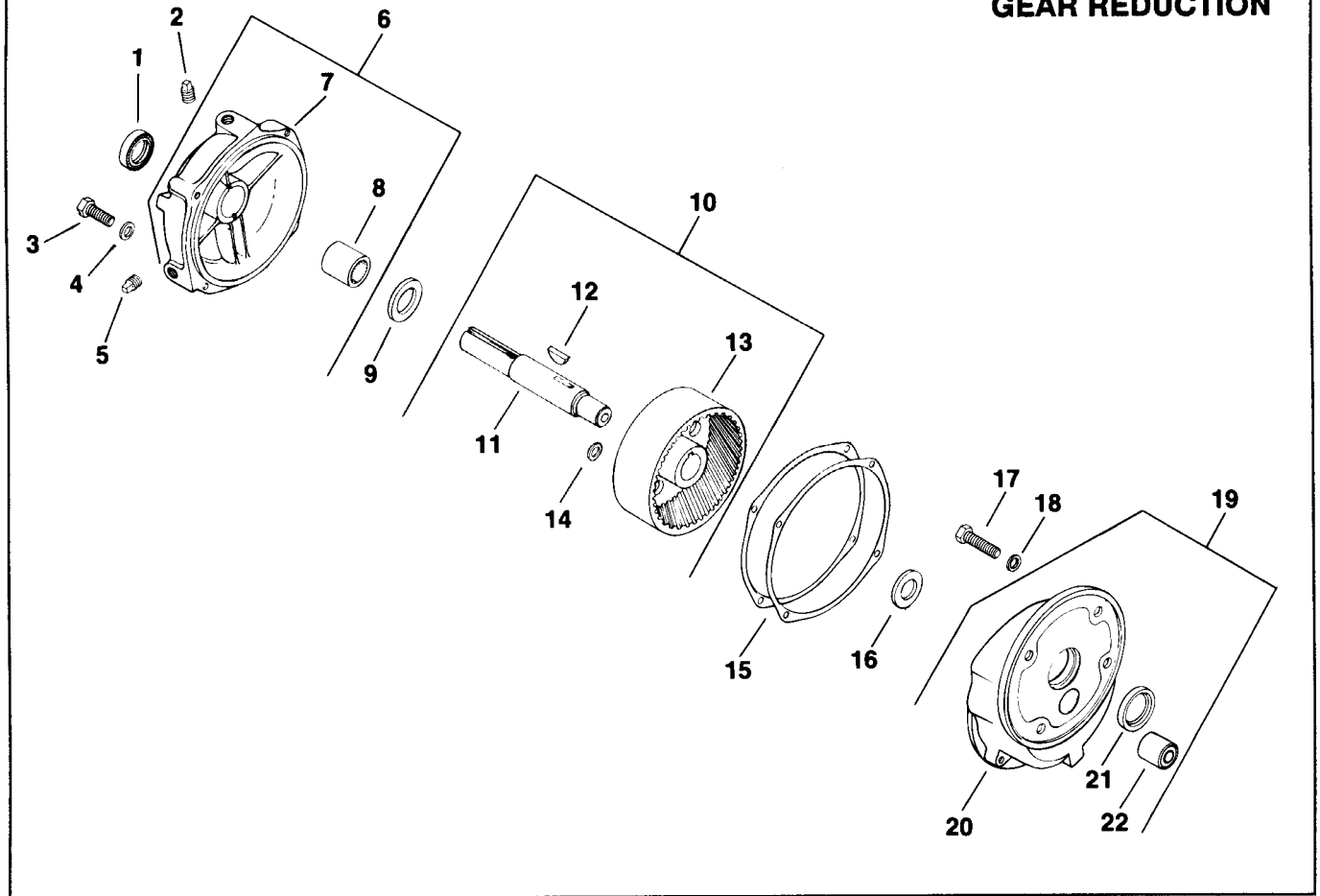
| Index Number | Description Variation Number | Part Number | Index Number | Description Variation Number | Part Number |
|--------------|---|-------------|--------------|--|-------------|
| 1 | Tank, fuel (1/2" high filler neck) (Replaced by 47 755 39) 66, 67, 79, 80, 81, 83, 84, 300, 301 | 47 065 04 | 6 | Pin nut 1/4-20 (2) 66, 67, 79, 80, 81, 83, 84, 300, 301 | X-799-1 |
| 1 | Kit, fuel tank (Includes cap 25 173 03) (3/4" high filler neck) 66, 67, 79, 80, 81, 83, 84, 300, 301 | 47 755 39 | 7 | Bracket, lower tank 66, 67, 79, 80, 81, 83, 84, 300, 301 | 47 126 30 |
| 2 | Cap, fuel tank (Replaced by 25 173 02) (Used on tank w/1/2" high filler neck) 66, 67, 79, 81, 83, 301 | 25 173 01 | 8 | Washer, plain 3/8" (2) 66, 67, 79, 80, 81, 83, 84, 300, 301 | X-25-28 |
| 3 | Nut, acorn (2) 66, 67, 79, 81, 83, 84, 300, 301 | 25 100 04 | 9 | Screw, H.C. sems 5/16-18 x 1-1/8" (2) 66, 67, 79, 80, 81, 83, 84, 300, 301 | X-159-3 |
| 4 | Washer, plain 1/4" (2) 66, 67, 79, 80, 81, 83, 84, 300, 301 | X-25-78 | 10 | Bushing, fuel tank (Use with metal shut-off valve) 66, 67, 79, 80, 81, 83, 84, 300, 301 | 41 158 03 |
| 5 | Mount, isolation (4) 66, 67, 79, 80, 81, 83, 84, 300, 301 | 47 366 01 | 10 | Bushing, fuel tank (Use with plastic shut-off valve) 66, 67, 79, 80, 81, 83, 84, 300, 301 | 25 313 01 |
| | | | 11 | Valve, fuel shut-off (metal) 66, 67, 79, 80, 81, 83, 84, 300, 301 | 25 462 01 |

**FUEL TANK
(Cont'd)**

M12

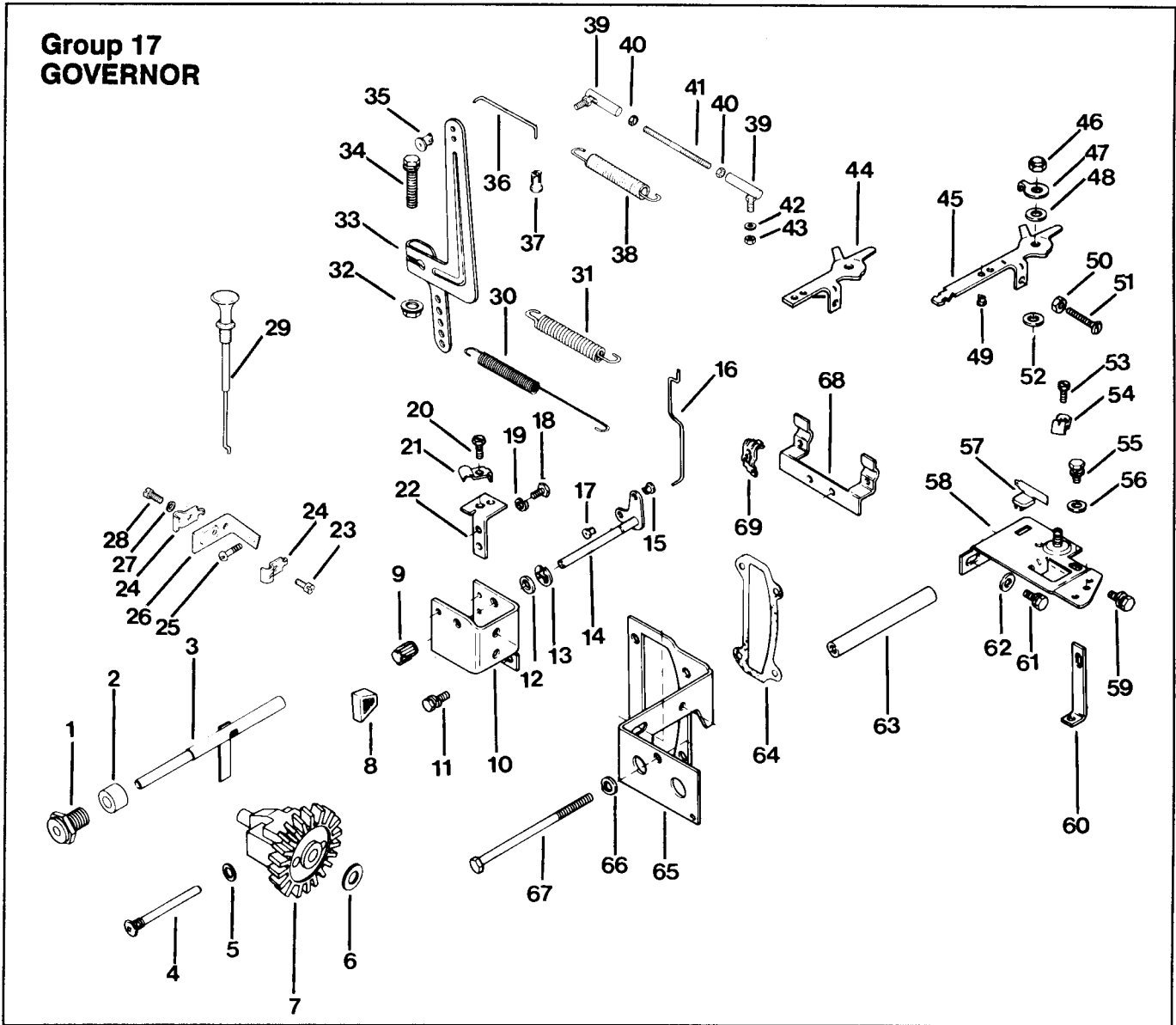
| Index Number | Description Variation Number | Part Number | Index Number | Description Variation Number | Part Number |
|---------------------|---|--------------------|------------------------|---|--------------------|
| 12 | Line, fuel 3/16" I.D., 2" lg. 66, 79, 80, 84, 300, 301 | 41 353 10 | 16 | Cap, fuel tank <i>(Use on tank w/1/2" high filler neck)</i> 66, 67, 79, 80, 81, 83, 84, 300, 301 | 25 173 02 |
| 13 | Clamp, hose (2) 66, 79, 81, 83, 300, 301 | 25 237 01 | 16 | Cap, fuel tank <i>(Use on tank w/3/4" high filler neck)</i> 66, 67, 79, 80, 81, 83, 84, 300, 301 | 25 173 03 |
| 13 | Clamp, hose (4) 80, 84 | 25 237 01 | 17 | Valve, fuel shut-off (plastic) 66, 67, 79, 80, 81, 83, 84, 300, 301 | 25 462 03 |
| 14 | Filter, fuel 66, 79, 80, 84, 300, 301 | 41 050 02 | Not Illustrated | | |
| 15 | Line, fuel 3/16" I.D., 19" lg. 66, 67, 79, 80, 81, 83, 84, 300, 301 | 47 353 02 | | Decal, fuel warning 79, 83, 84, 300, 301 | 25 113 10 |

Group 16 GEAR REDUCTION



| Index Number | Description Variation Number | Part Number | Index Number | Description Variation Number | Part Number |
|--------------|--|-------------|--------------|---|-------------|
| 1 | Seal, rear oil 2 | 47 032 07 | 12 | Key, woodruff 3/16 x 1" 2 | X-46-3 |
| 2 | Plug, vented hex. ctsk. 3/4" N.P.T.F. 2 | 41 139 01 | 13 | Gear, reduction 2 | 23545 |
| 3 | Screw, H.C. 5/16-18 x 2" (4) 2 | X-6-29 | 14 | Washer, plain 3/8" (2) 2 | X-25-67 |
| 4 | Washer, lock 5/16" (4) 2 | X-21-1 | 15 | Gasket (A.R.) 2 | 234498 |
| 5 | Plug, sq. hd. solid 1/4" N.P.T.F. 2 | X-75-2 | 16 | Washer, thrust 2 | 235248 |
| 6 | Housing, gear assembly (Includes 7, 8) 2 | A-237173 | 17 | Screw, H.C. 3/8-16 x 1" (4) 2 | 270677 |
| 7 | Cover, gear 2 | 235244 | 18 | Washer, lock 3/8" (2) 2 | X-22-1 |
| 8 | Bearing, needle 2 | 235250 | 19 | Housing, gear assembly (Includes 20 - 22) 2 | A-237174 |
| 9 | Washer, thrust 2 | 235247 | 20 | Housing, gear 2 | 235243 |
| 10 | Shaft assembly (Includes 11 - 13) 2 | A-237172 | 21 | Seal, front oil 2 | 47 032 06 |
| 11 | Shaft, reduction gear 2 | 235249 | 22 | Bearing, needle 2 | 235251 |

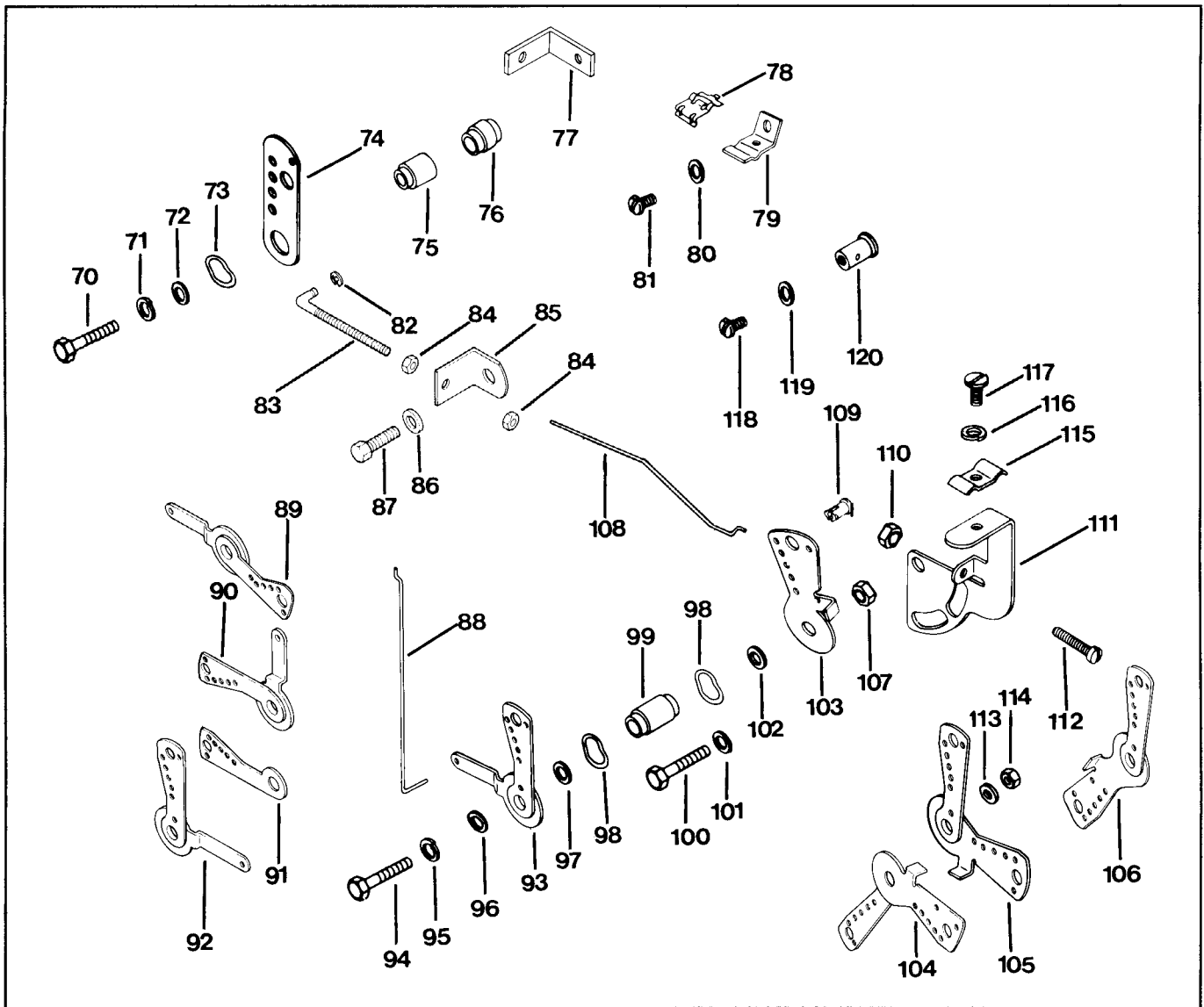
**Group 17
GOVERNOR**



| Index Number | Description Variation Number | Part Number | Index Number | Description Variation Number | Part Number |
|--------------|--|-------------|--------------|---|-------------|
| 1 | Bushing, governor shaft 68, 79, 81, 95, 96, 97, 100, 104, 107, 112, 114, 116, 117, 118, 119, 120, 123, 127, 140, 148 | 235476 | 5 | Washer, plain 1/4" 68, 79, 81, 95, 96, 97, 100, 104, 107, 112, 114, 116, 117, 118, 119, 120, 123, 127, 140, 148 | 25 468 01 |
| 2 | Spacer 17/64" I.D., 3/8" O.D., 13/16" lg. 68, 79, 81, 95, 96, 97, 100, 104, 107, 112, 114, 116, 117, 118, 119, 120, 123, 127, 140, 148 | X-400-80 | 6 | Washer, thrust 68, 79, 81, 95, 96, 97, 100, 104, 107, 112, 114, 116, 117, 118, 119, 120, 123, 127, 140, 148 | 237022 |
| 3 | Kit, governor shaft (Includes 2) 68, 79, 81, 95, 96, 97, 100, 104, 107, 112, 114, 116, 117, 118, 119, 120, 123, 127, 140, 148 | A-235256-S | 7 | Kit, governor gear (Includes 6) 68, 79 | A-236294-S |
| 4 | Pin, governor stop 68, 79, 81, 95, 96, 97, 100, 104, 107, 112, 114, 116, 117, 118, 119, 120, 123, 127, 140, 148 | 231355 | 7 | Kit, governor gear (Includes 6) 81, 95, 96, 97, 100, 104, 107, 112, 114, 116, 117, 118, 119, 120, 123, 127, 140, 148 | A-235743-S |

| Index Number | Description Variation Number | Part Number | Index Number | Description Variation Number | Part Number |
|--------------|---|-------------|--------------|--|-------------|
| 8 | Knob, speed control 117, 127, 148 | 41 341 03 | 28 | Screw, F.H.M. 10-24 x 1/2" 96 | X-15-5 |
| 9 | Knob, choke, w/set screw (Use with 47 144 20 shaft) (Use before SN 1811200013) 79, 116, 117, 118, 127, 148 | 47 341 02 | 29 | Cable, choke 97, 119 | 47 159 01 |
| 9 | Knob, choke, w/set screw (Use with 47 144 23 shaft) (Use after SN 1811200003) 79, 116, 117, 118, 127, 148 | 47 341 03 | 30 | Spring, governor (23 coils) 79 | 47 089 07 |
| 10 | Bracket, choke shaft 79, 116, 117, 118, 127, 148 | 47 126 25 | 30 | Spring, governor (34 coils) 97, 100, 107, 114, 120, 140 | 47 091 01 |
| 11 | Screw, hex. hd. sems 10-24 x 3/8" (2) 79, 116, 117, 118, 127, 148 | 41 086 23 | 30 | Spring, governor (34 coils) (Use after SN 1614100003) 104 | 47 091 01 |
| 12 | Bushing, choke shaft (2) 79, 116, 117, 118, 127, 148 | 25 158 05 | 30 | Spring, governor (26 coils) (Replaced by 47 089 09) 116, 117, 118, 127 | 47 089 08 |
| 13 | E-ring 79, 116, 117, 118, 127, 148 | 25 141 01 | 30 | Spring, governor (26 coils) 148 | 47 089 09 |
| 14 | Shaft, choke control (Use with 47 341 02 knob) (Use before SN 1811200013) 79, 116, 117, 118, 127, 148 | 47 144 20 | 31 | Spring, governor (26 coils) 68, 81, 95, 96, 112, 123 | 235496 |
| 14 | Shaft, choke control (Use with 47 341 03 knob) (Use after SN 1811200003) (Replaced by 47 755 41 kit) 79, 116, 117, 118, 127, 148 | 47 144 23 | 31 | Spring, governor (26 coils) (Use before SN 1614100013) 104 | 235496 |
| 14 | Kit, choke shaft (Includes 47 341 03 knob, Item 13) 79, 116, 117, 118, 127, 148 | 47 755 41 | 31 | Spring, governor (23 coils) 119 | 45 091 01 |
| 15 | Bushing, linkage (black) 79, 116, 117, 118, 127, 148 | 47 158 03 | 32 | Palnut 1/4-20 68, 79, 81, 95, 96, 97, 100, 104, 107, 112, 114, 116, 117, 118, 119, 120, 123, 127, 140, 148 | X-799-1 |
| 16 | Linkage, choke (Carburetor to choke shaft) 79, 116, 117, 118, 148 | 47 079 04 | 33 | Lever, governor (Includes 32, 34) 68 | A-237444 |
| 17 | Bushing, linkage (yellow) (Replaced red bushing) (Replaced by 25 158 09 black clip-on bushing) 79, 116, 117, 118, 148 | 25 158 07 | 33 | Lever, governor 79, 81, 95, 96, 97, 100, 104, 107, 112, 114, 116, 117, 118, 119, 120, 127, 140, 148 | 47 090 20 |
| 18 | Screw, hex. hd. sems 10-24 x 3/8" (2) 116, 117, 118, 127, 148 | 41 086 23 | 33 | Lever, governor (Includes 32, 34) 123 | A-237653 |
| 19 | Washer, Lock #10 116, 117, 118, 127, 148 | X-19-1 | 34 | Screw, H.C. sems 1/4-20 x 1-1/4" 68, 79, 81, 95, 96, 97, 100, 104, 107, 112, 114, 116, 117, 118, 119, 120, 123, 127, 140, 148 | X-776-1 |
| 20 | Screw, sltd. hex. hd. 10-24 x 3/8" 116, 117, 118, 127, 148 | X-97-3 | 35 | Bushing, linkage (white) (Replaced by 47 158 06) (Replaced by 47 158 07 black clip-on bushing) 68, 79, 81, 95, 96, 97, 100, 104, 107, 112, 114, 116, 117, 118, 119, 120, 123, 140, 148 | 47 158 04 |
| 21 | Clamp, cable 116, 117, 118, 127, 148 | 235778 | 36 | Linkage, governor (gold) (Governor to carburetor) 68, 123 | 47 079 11 |
| 22 | Bracket, cable clamp 116, 117, 118, 127, 148 | 47 126 31 | 36 | Linkage, governor (silver) (Governor to carburetor) (Replaced by 47 079 10 gold linkage) 79, 81, 95, 96, 97, 100, 104, 107, 112, 114, 116, 117, 118, 119, 120, 140, 148 | 47 079 05 |
| 23 | Screw, sltd hex. hd. 10-24 x 3/8" 97, 119 | X-97-3 | 37 | Bushing, linkage (yellow) (Replaced white bushing) (Replaced by 25 158 09 black clip-on bushing) 68, 79, 81, 95, 96, 97, 100, 104, 107, 112, 114, 116, 117, 118, 119, 120, 123, 140, 148 | 25 158 07 |
| 24 | Clamp, cable 96, 97, 119 | 235778 | | | |
| 25 | Screw, sems 1/4-20 x 5/8" 97, 119 | 52 086 11 | | | |
| 26 | Bracket, choke 96 | 47 126 36 | | | |
| 26 | Bracket, choke 97, 119 | 47 126 34 | | | |
| 27 | Washer, lock #10 96 | X-19-1 | | | |

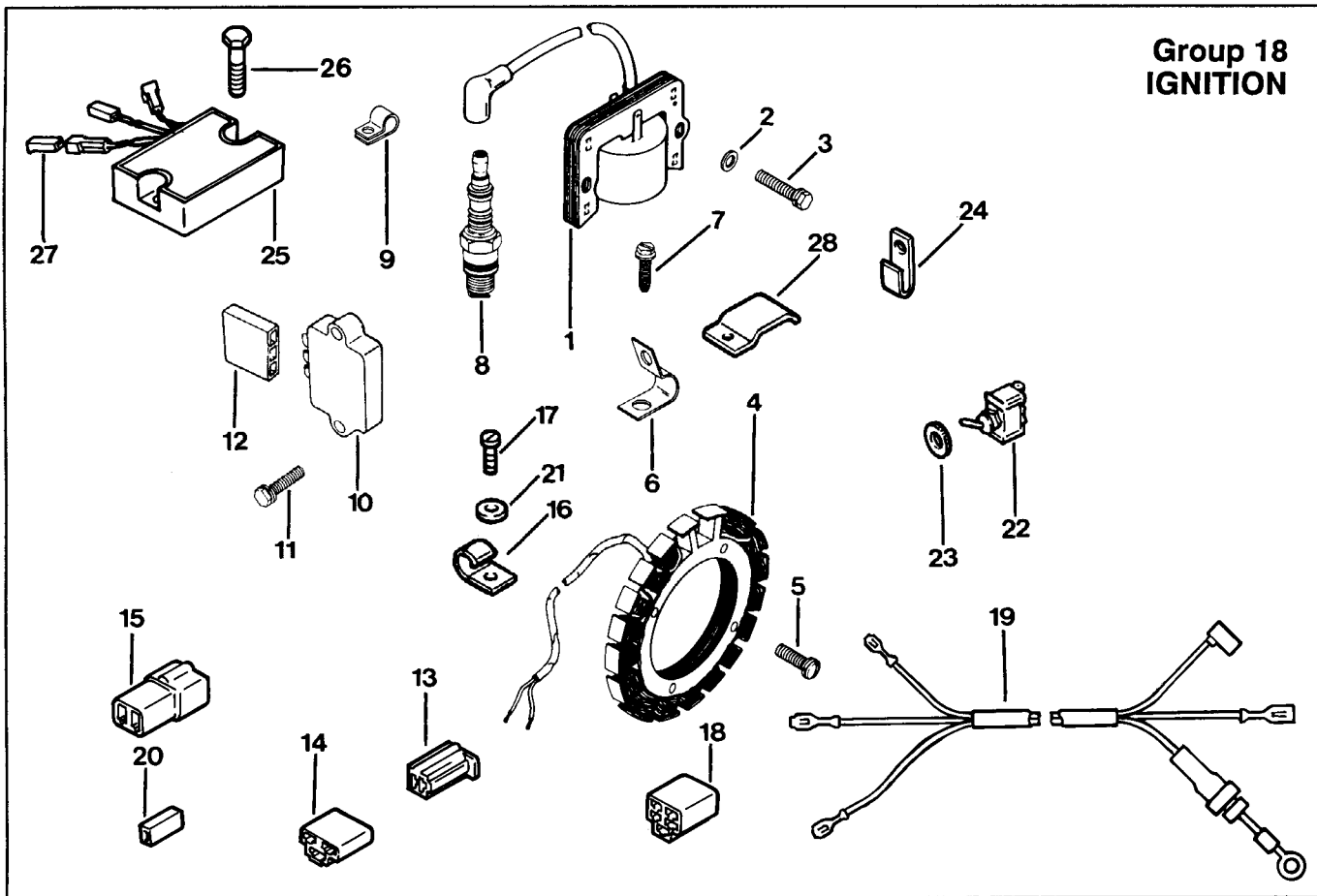
| Index Number | Description Variation Number | Part Number | Index Number | Description Variation Number | Part Number |
|---------------------|--|--------------------|---------------------|---|--------------------|
| 38 | Spring, dampening (93 coils) <i>(Governor lever to carburetor)</i> 79 | 230117 | 53 | Screw, sltd. hex. hd. 10-24 x 3/8" 116, 117, 118, 127, 148 | X-97-3 |
| 39 | Ball Joint (2) 68 | 237130 | 54 | Clamp, cable 116, 117, 118, 127, 148 | 235778 |
| 40 | Nut, hex. 10-32 (2) 68 | X-70-3 | 55 | Screw, H.C. sems 1/4-20 x 3/8" 79, 116, 117, 118, 127, 148 | X-132-1 |
| 41 | Rod, throttle 68 | 235078 | 56 | Washer, plain 1/4" 79, 116, 117, 118, 127, 148 | X-25-63 |
| 42 | Washer, lock #10 (2) 68 | X-19-1 | 57 | Switch, kill <i>(Replaced by 25 099 12)</i> 117, 148 | 41 099 05 |
| 43 | Nut, hex 10-32 (2) 68 | X-70-3 | 58 | Bracket, speed control 79, 116, 117, 118, 127, 148 | 47 126 21 |
| 44 | Lever, speed control 79, 118 | 47 090 22 | 59 | Screw, H.C. sems 1/4-20 x 3/8" 79, 116, 117, 118, 127, 148 | X-132-1 |
| 45 | Lever, speed control 116, 117, 127, 148 | 47 090 19 | 60 | Bracket, stablizer 79, 116, 117, 118, 127, 148 | 47 126 27 |
| 46 | Nut, hex lock 1/4-20 79, 116, 117, 118, 127, 148 | X-101-8 | 61 | Screw, H.C. sems 1/4-20 x 5/8" (2) 79, 116, 117, 118, 127, 148 | X-132-5 |
| 47 | Tab, locking 79, 116, 117, 118, 127, 148 | 52 448 01 | 62 | Washer, plain 1/4" (2) 79, 116, 117, 118, 127, 148 | X-25-53 |
| 48 | Washer, plain 1/4" 79, 116, 117, 118, 127, 148 | X-25-53 | 63 | Spacer 17/64" I.D., 1/2" O.D., 4-1/2" lg. 79, 116, 117, 118, 127, 148 | 25 112 03 |
| 49 | Bushing, linkage (black) 79, 116, 117, 118, 127, 148 | 47 158 03 | 64 | Gasket, camshaft cover 79, 116, 117, 118, 127, 148 | 235025 |
| 50 | Nut, hex. 10-24 79, 116, 117, 118, 127, 148 | X-70-2 | 65 | Bracket, control panel 79, 116, 117, 118, 127, 148 | 47 126 28 |
| 51 | Screw, F.H. 10-24 x 3/8" 79, 116, 117, 118, 127, 148 | X-50-7 | 66 | Washer, lock 1/4" 79, 116, 117, 118, 127, 148 | X-20-1 |
| 52 | Washer, wave <i>(1 curve)</i> 76, 118 | 41 468 03 | 67 | Screw, H.C. 1/4-20 x 5-1/16" 79, 116, 117, 118, 127, 148 | 47 086 16 |
| 52 | Washer, wave (2) <i>(1 curve)</i> 79, 116, 117, 127, 148 | 41 468 03 | 68 | Bracket, bowden wire 79, 116, 117, 118, 127, 148 | 47 126 26 |
| | | | 69 | Clip, cable (2) 79, 116, 117, 118, 127, 148 | 235603 |



| Index Number | Description Variation Number | Part Number | Index Number | Description Variation Number | Part Number |
|--------------|---|-------------|--------------|--|-------------|
| 70 | Screw, H.C. sems 1/4-20 x 1-1/4" (2) 68, 119, 123 | X-132-9 | 77 | Bracket, adjusting screw 123 | 235084 |
| 70 | Screw, H.C. 1/4-20 x 1-1/2" 81, 95, 96, 104, 112 | X-5-26* | 78 | Clip 68 | 235603 |
| 71 | Washer, lock 1/4" 81, 95, 96, 104, 112 | X-20-1* | 79 | Bracket, throttle cable (Includes 78) | A-237559 |
| 72 | Washer, plain 1/4" 68, 81, 95, 96, 104, 112, 119, 123 | X-25-63* | 80 | Washer, plain 1/4" 68 | X-25-63 |
| 73 | Washer, wave (2 curves) 68, 81, 95, 96, 104, 112, 123 | 275690* | 81 | Screw, H.C. sems 1/4 - 20 x 1/2" 68 | X-132-6 |
| 74 | Bracket speed control 68, 81, 95, 96, 104, 112, 119, 123 | 235086* | 82 | Retainer, rod 68, 119 | 235278 |
| 75 | Spacer 68, 119 | 45 112 01 | 83 | Rod, throttle 68, 119 | 235277 |
| 75 | Spacer 23/64" O.D., 9/16" lg. 81, 95, 96, 104, 112, 123 | 235085* | 84 | Nut, hex 10-32 (2) 68, 119 | X-70-3 |
| 76 | Spacer 17/64" I.D., 13/32" O.D., 1/2" lg. 81, 95, 96, 104, 112 | X-384-2* | 85 | Bracket 68, 119 | 47 126 32 |

| Index Number | Description Variation Number | Part Number | Index Number | Description Variation Number | Part Number |
|--------------|--|-------------|---|---|-------------|
| 86 | Spacer 9/32" I.D., 3/8" O.D., 7/64" lg. 68, 119 | 25 431 01 | 105 | Lever, throttle control 114 | 47 090 51 |
| 87 | Screw, hex. hd. 1/4 - 20 x 1/2" 68, 119 | 25 086 14 | 106 | Lever, throttle control 95, 120 | 47 090 39 |
| 88 | Linkage, choke (Carburetor to lever assembly) 81, 95, 96, 100, 104, 107, 112, 114, 120, 140 | 47 079 01 | 107 | Nut, hex. 1/4-20 81, 95, 97, 100, 104, 107, 112, 120, 140 | X-76-2 |
| 89 | Lever, choke control 81, 104 | 47 090 07 | 108 | Linkage, throttle (Swivel clamp to throttle control lever) 81, 95, 96, 104, 112 | 47 079 08 |
| 90 | Lever, choke control 95, 120 | 47 090 40 | 109 | Bushing, linkage (black) 107, 112 | 47 158 03 |
| 91 | Lever, choke control 96 | 47 090 05 | 110 | Nut, hex. 8-32 81, 95, 96, 97, 100, 104, 107 112, 114, 120, 140 | X-72-4 |
| 92 | Lever, choke control 114 | 47 090 50 | 111 | Bracket, choke 81, 95, 97, 100, 104, 107, 112, 114, 120, 140 | 47 126 09 |
| 93 | Lever, choke control 100, 107, 112, 140 | 47 090 06 | 111 | Bracket, choke 96 | 47 126 13 |
| 94 | Screw, H.C. 1/4-20 x 1-1/2" 81, 95, 96, 100, 104, 120 | X-5-26 | 112 | Screw 8-32 x 5/16" 81, 95, 96, 97, 100, 104, 107 112, 114, 120, 140 | 232556 |
| 94 | Screw, H.C. sems 1/4-20 x 1-1/4" 97, 107, 112, 114, 140 | X-132-9 | 113 | Washer, plain 9/32 x 5/8 x 3/16" 96 | X-25-95 |
| 95 | Washer, lock 1/4" 81, 95, 96, 100, 104, 120 | X-20-1 | 114 | Nut, hex 1/4 - 20 96, 114 | X-81-1 |
| 96 | Washer, plain 1/4" 81, 95, 96, 100, 104, 107, 112, 114, 120, 140 | X-25-63 | 115 | Clamp 81, 95, 97, 100, 104, 107, 112, 114, 120, 140 | 47 237 02 |
| 97 | Washer, plain 3/8" 96 | X-25-82 | 116 | Washer, lock #10 81, 95, 97, 100, 104, 107, 112, 114, 120, 140 | 25 468 04 |
| 98 | Washer, wave (2) (2 curves) 81, 95, 96, 100, 104, 107, 112, 114, 120, 140 | 275690 | 117 | Screw, hex. hd. 10-24 x 3/4" 81, 95, 97, 100, 104, 107, 112, 114, 120, 140 | X-67-51 |
| 98 | Washer, wave (2 curves) 97 | 275690 | 118 | Screw, sltd. pan hd. 8-32 x 1/4" 81, 95, 96, 97, 100, 104, 112, 114, 123 | X-51-8* |
| 99 | Spacer 23/64" O.D., 11/16" lg. 68, 119 | 45 112 01 | 118 | Screw, sltd. pan hd. 8-32 x 1/4" (2) 120 | X-51-8 |
| 99 | Spacer 23/64" O.D., 13/16" lg. 81, 95, 100, 104, 120 | 47 112 02 | 119 | Washer, plain 1/4" 81, 95, 96, 97, 100, 104, 112, 114, 123, 140 | X-25-102* |
| 99 | Spacer 23/64" O.D., 31/64" lg. 96, 97, 107, 112, 114, 140 | 47 112 19 | 119 | Washer plain 1/4" (2) 120 | X-25-102 |
| 100 | Screw, H.C. sems 1/4-20 x 1/2" 81, 95, 96, 97, 100, 104, 107 114, 120, 140 | X-132-6 | 120 | Kit, clamp (Includes 118, 119) 81, 95, 96, 97, 100, 104, 112, 114, 123, 140 | 48 755 10* |
| 100 | Screw, H.C. sems 1/4-20 x 3/8" 112 | X-132-1 | Not illustrated | | |
| 101 | Washer, plain 1/4" 81, 95, 96, 97, 100, 104, 107, 112, 120, 140 | X-25-72 | Kit, speed control and choke bracket (Includes 70, 71, 73-75, 78-87) 68, 119 | | |
| 102 | Washer, plain 3/8" 100, 107, 112, 140 | X-25-82 | Bracket, control assembly (Includes 70, 72-75, 77, 118-120) 123 | | |
| 103 | Lever, throttle control 100 | 47 090 10 | A-236895 | | |
| 103 | Lever, throttle control 107, 112, 140 | 47 090 25 | | | |
| 104 | Lever, throttle control 96 | 47 090 09 | | | |
| 105 | Lever, throttle control 81, 97, 104 | 47 090 08 | | | |

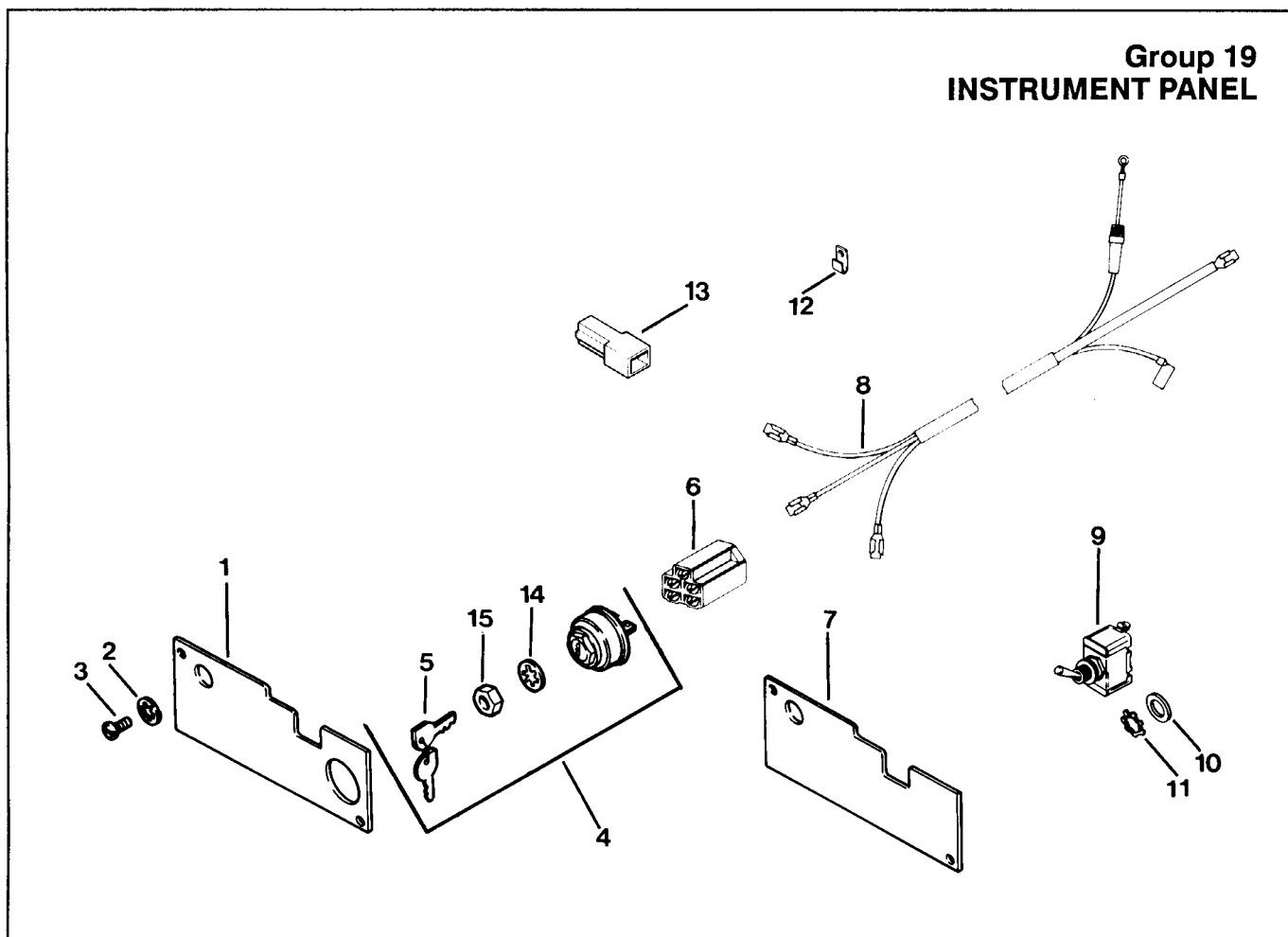
*Note: For variation 104 use before SN 1614100013 only.

Group 18
IGNITION

| Index Number | Description Variation Number | Part Number | Index Number | Description Variation Number | Part Number |
|--------------|--|-------------|--------------|---|-------------|
| 1 | Module, ignition (Replaced by 47 584 02) 236, 237, 255, 259, 261, 264, 267, 269, 272, 273, 280, 282, 286, 300 | 47 584 01 | 7 | Screw, hex. wash. hd. 8-32 x 3/8" 236, 246, 255, 259, 261, 264, 267, 271, 282, 286, 300 | X-67-59 |
| 1 | Module, ignition w/diode 246, 271 | 47 584 02 | 8 | Spark plug RH-10 236, 237, 246, 255, 259, 261, 264, 267, 269, 271, 272, 273, 280, 282, 286, 300 | 235041-S |
| 2 | Washer, plain #10 (2) 236, 237, 246, 255, 259, 261, 264, 267, 269, 271, 272, 273, 280, 282, 286, 300 | X-25-79 | 9 | Clip, hi-tension lead 236, 237, 246, 255, 259, 261, 264, 267, 269, 271, 272, 273, 280, 282, 286, 300 | 210281 |
| 3 | Screw, H.C. sems 10-24 x 7/8" (2) 236, 237, 246, 255, 259, 261, 264, 267, 269, 271, 272, 273, 280, 282, 286, 300 | X-156-1 | 10 | Rectifier-regulator (Replaced by 25 755 03 kit) 236, 255, 259, 261, 264, 267, 282, 286, 300 | 41 403 05 |
| 4 | Kit, stator (15 amp.) (Includes 5) 236, 246, 255, 259, 261, 264, 267, 282, 286, 300 | 237878 | 10 | Kit rectifier-regulator, w/screws (Rectifier-regulator marked 41 403 09) 236, 246, 255, 259, 261, 264, 267, 282, 286, 300 | 25 755 03 |
| 4 | Kit, stator (25 amp.) (Includes 5, 27) 271 | 25 755 07 | 11 | Screw, H.C. sems 1/4-20 x 1" (2) (Use with 41 403 05) 236, 255, 259, 261, 264, 267, 282, 286, 300 | X-132-4 |
| 5 | Screw, pan hd. sems 10-24 x 3/4" (4) 236, 246, 255, 259, 261, 264, 267, 282, 286, 300 | X-67-51 | 11 | Screw, H.C. sems 1/4-20 x 5/8" (Use with 41 403 09) 236, 246, 255, 259, 261, 264, 267, 282, 286, 300 | X-132-5 |
| 5 | Screw, pan hd. mach. 10-24 271 | 25 086 29 | | | |
| 6 | Clip, lead 236, 246, 255, 259, 261, 264, 267, 282, 286, 300 | X-728-1 | | | |

| Index Number | Description Variation Number | Part Number | Index Number | Description Variation Number | Part Number |
|------------------------|---|--------------------|---------------------|---|--------------------|
| 12 | Connector, female (3 contact) 236, 246, 255, 259, 261, 264, 267, 282, 286, 300 | 236602 | | Lead, violet, rectifier-regulator to connector (19" - 14 gauge - <i>uninsulated locking tang female 1/4" terminals</i>) 267 | 41 518 29 |
| 13 | Connector, male (2 contact) 255, 259, 261, 267, 282, 286 | 41 155 03 | | Lead, white, w/diode, module to connector (15" - 18 gauge - <i>insulated push on tab - uninsulated push on tab terminals</i>) (Repair w/47 518 43) | 47 518 44 |
| 14 | Connector, female (3 contact) 246, 300 | 236473 | | Lead, white, w/diode (Repair lead for leads w/diodes) (5" - 18 gauge - <i>insulated push on tab - insulink</i>) | 47 518 43 |
| 15 | Connector, female (2 contact) 261 | 52 155 04 | | 246, 255, 259, 261, 264, 280, 286, 300 | 47 518 44 |
| 16 | Clip, stator leads 255, 259, 264, 267, 269, 280, 282, 286 | 235173 | | Lead, violet, rectifier-regulator to connector (15" - 14 gauge - <i>uninsulated locking tang female 1/4" terminals</i>) | 47 518 27 |
| 16 | Clip, stator leads 264 | 48 154 01 | | Lead, violet, rectifier-regulator to connector (23" - 14 gauge - <i>uninsulated locking tang female 1/4" terminals</i>) | 47 518 36 |
| 17 | Screw, H.C. 1/4-20 x 1/2" 255, 259, 264, 269, 280, 282, 286 | X-132-6 | | 259, 264, 286, 300 | 47 518 16 |
| 17 | Screw, hex. wash. hd. 1/4-20 x 7/16" 264 | X-67-83 | | Lead, white, w/diode, module to switch (10" - 18 gauge - <i>insulated push on tab, insulated grip barrel eyelet terminals</i>) 272, 273 | 25 518 16 |
| 18 | Connector, female (5 contact) 282 | 48 155 01 | | Lead, white, ground to switch (12" - 18 gauge - <i>insulated grip barrel eyelet terminals</i>) 272, 273 | 25 518 17 |
| 19 | Harness, wiring, w/o diode (Use with module w/diode) 282 | 47 176 08 | | Lead, red, connector to cam cover screw (4" - 18 gauge - <i>uninsulated male bullet, insulated grip barrel eyelet terminals</i>) 272, 273 | 47 518 51 |
| 20 | Connector, female (1 contact) 269, 280 | 277563 | | Lead, red, toggle switch to connector (14" - 18 gauge <i>uninsulated male bullet, insulated grip barrel eyelet terminals</i>) 272, 273 | 47 518 50 |
| 21 | Washer, plain 17/64 x 9/16 x 1/16" 264 | X-25-72 | | Lead, light blue, solenoid to switch (23" - 18 gauge - <i>insulated grip barrel eyelet insulated push-on female flag 1/4" terminals</i>) 273 | 25 518 19 |
| 22 | Switch, DPST, 4 terminals 272 | 238011 | | Lead, red, solenoid terminal to solenoid tab (3" - 18 gauge - <i>insulated grip barrel eyelet, insulated push-on female 1/4" terminals</i>) 273 | 25 518 20 |
| 22 | Switch, SPST, 2 terminals 272 | 151510 | | Lead, white, w/diode, module to switch (10" - 18 gauge <i>insulated push-on tab, insulated grip barrel eyelet terminals</i>) (Replaced by 25 518 16) 273 | 25 518 18 |
| 22 | Switch, SPDT, 3 terminals 273 | 25 099 07 | | | |
| 23 | Nut, knurl 272 | 41 100 06 | | | |
| 24 | Clip-on fuel pump screw 272, 273 | 275303 | | | |
| 25 | Rectifier-regulator, 25 amp 271 | 25 403 01 | | | |
| 26 | Screw, H. C. sems 1/4-20 x 5/8" 271 | X-132-5 | | | |
| 27 | Connector, receptacle 271 | 25 155 04 | | | |
| 28 | Clip 271 | 234531 | | | |
| Not Illustrated | | | | | |
| | Lead, violet, rectifier-regulator to connector (12-1/2" - 14 gauge - <i>uninsulated locking tang female 1/4" terminals</i>) 246, 255, 261, 282, 300 | 47 518 46 | | | |
| | Lead, violet, rectifier-regulator to connector (11" gauge - <i>uninsulated locking tang female 1/4" terminals</i>) 282, 300 | 47 518 33 | | | |
| | Lead, white, w/diode, module to connector (23" - 18 gauge - <i>insulated push on tab - uninsulated push on tab terminals</i>) (Repair w/47 518 43) 255, 267, 269 | 47 518 45 | | | |

Group 19 INSTRUMENT PANEL



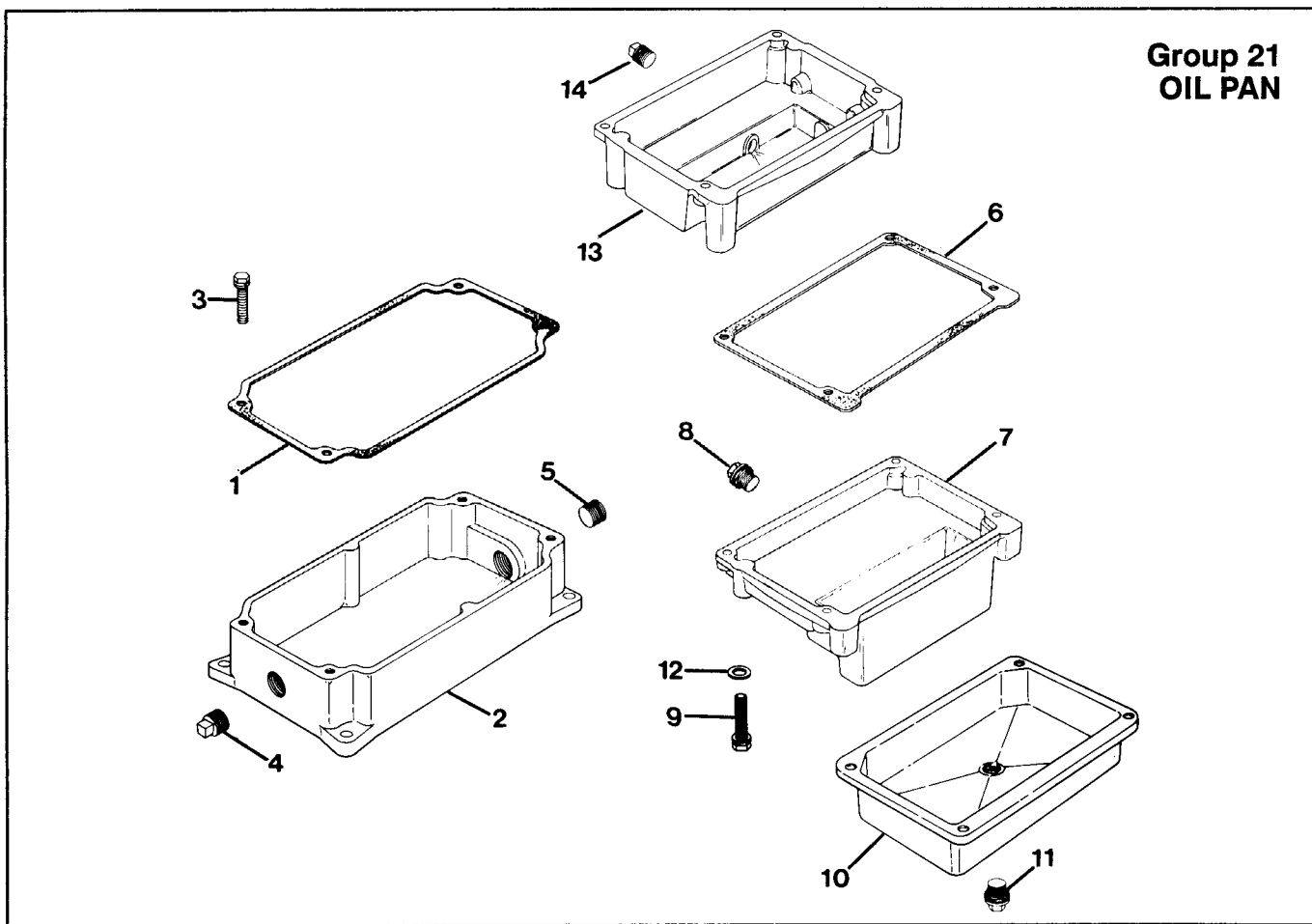
| Index Number | Description Variation Number | Part Number | Index Number | Description Variation Number | Part Number |
|--------------|---|-------------|--------------|--|-------------|
| 1 | Panel, instrument 43, 49, 53, 54, 63, 68 | 47 378 06 | 8 | Harness, wiring w/o diode (Use with module w/diode) | |
| 1 | Panel, instrument 60 | 47 378 08 | 8 | Harness, wiring (Use after Serial No. 1725100003) | 47 176 08 |
| 2 | Washer, I.T. #10 (2) 43, 44, 49, 51, 53, 54, 63, 68, 71, 302 | X-22-9 | 8 | Harness, wiring 60 | 47 176 11 |
| 3 | Screw, sltd. pan hd. 10-24 x 3/8" (2) 43, 44 | X-131-1 | 8 | Harness, wiring, w/oil sentry lead 63, 68 | 47 176 12 |
| 3 | Screw, H.C. sems 1/4-20 x 1/2" (2) 60 | X-132-6 | 8 | Harness, wiring 71 | 47 176 06 |
| 4 | Switch, key assembly (Includes 5, 14, 15) 43, 51, 53, 54, 60, 63, 68, 300, 301, 302 | 25 099 04 | 9 | Switch, SPST, 2 terminals 49 | 151510 |
| 5 | Key (Set of 2) 43, 51, 53, 54, 60, 63, 68, 300, 301, 302 | 48 340 01 | 10 | Washer, plain 7/16" 49 | X-25-34 |
| 6 | Connector 43, 51, 53, 54, 60, 63, 68 | 48 155 01 | 11 | Washer internal/external tooth 1/2" 49 | X-22-26 |
| 7 | Panel, instrument 44, 51, 71, 302 | 47 378 05 | 12 | Clip, on fuel pump screw 60 | 275303 |
| 8 | Harness, wiring w/diode (Replace diode w/service component) (Use before Serial No. 1725100013) (47 518 43 lead w/diode) (Replaced by 47 176 08) 43, 53, 54 | 47 176 05 | 13 | Connector, tab (2) 68 | 25 155 03 |
| | | | 14 | Washer 43, 51, 53, 54, 60, 63, 68, 300, 301, 302 | 48 468 02 |
| | | | 15 | Nut 43, 51, 53, 54, 60, 63, 68, 300, 301, 302 | 48 100 01 |

**INSTRUMENT PANEL
(Cont'd)**

M12

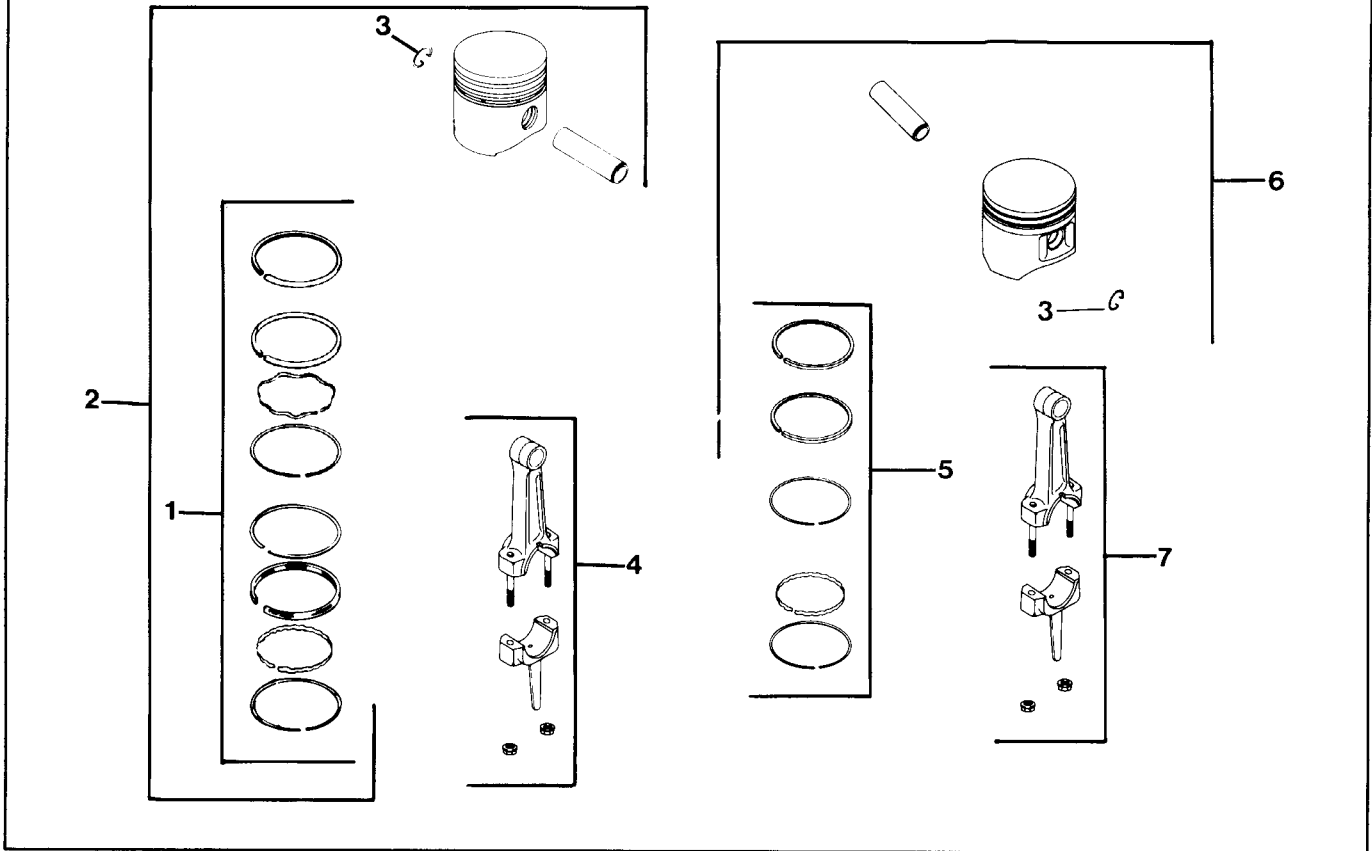
| Index Number | Description Variation Number | Part Number | Index Number | Description Variation Number | Part Number |
|------------------------|--|--------------------|---------------------|--|--------------------|
| Not Illustrated | | | | Lead, green ground to switch (3" - 18 gauge - insulated grip barrel eyelet terminals) 49 | 47 518 39 |
| | Lead, violet, keyswitch to rectifier-regulator (11" - 14 gauge - uninsulated push on tab terminals) 43, 53, 63 | 47 518 33 | | Lead, white, w/diode (Service replacement lead for wiring lead w/diode) (5" - 18 gauge - insulated push on tab-insulink) | 47 518 43 |
| | Lead, white, module to kill switch (19" - 18 gauge - insulated push on tab terminals) 44, 302 | 47 518 42 | | Decal, panel w/keyswitch hole 43, 44, 54, 63, 68 | 47 113 10 |
| | Lead, black, module to switch (21" - 18 gauge - insulated grip barrel eyelet, insulated push-on female 3/16" terminals) 49 | 47 518 47 | | Decal, panel w/o keyswitch hole 43, 44, 71, 302 | 47 113 11 |
| | Lead, red, B+ to solenoid lead (22" - 12 gauge - uninsulated push-on locking tang male 1/4", insulated grip barrel eyelet terminals) 68 | 47 518 35 | | Decal, panel w/toggle switch hole 49 | 47 113 17 |
| | | | | Decal, panel w/o keyswitch hole 51 | 47 113 15 |
| | | | | Decal, panel w/keyswitch hole 53 | 47 113 14 |
| | | | | Decal, panel w/keyswitch and oil sentry holes 60 | 41 113 12 |

Group 21
OIL PAN



| Index Number | Description Variation Number | Part Number | Index Number | Description Variation Number | Part Number |
|--------------|---|-------------|--------------|---|-------------|
| 1 | Gasket, oil pan 1, 23, 58, 59, 63, 624, 854 | 235057 | 6 | Gasket, oil pan 36, 67 | 235353 |
| 2 | Pan, oil (side drain) 1 | 235115 | 6 | Gasket, oil pan 54 | 47 041 07 |
| 2 | Pan, oil (side drain) 23 | 237763 | 7 | Pan, oil (side drain) 36 | 47 199 09 |
| 2 | Pan, oil (double drain) 58, 59 | 47 199 15 | 8 | Plug, drain w/fiber gasket 3/8-18" N.P.T.F. 36 | X-708-1 |
| 2 | Pan, oil (drain on starter side) 63, 624 | 45 199 05 | 9 | Screw, H.C. sems 3/8-16 x 1-1/2" (4) 36, 67 | X-159-4 |
| 2 | Pan, oil (double drain) 854 | 47 199 10 | 9 | Screw, H.C. sems 3/8-16 x 1" (4) 54 | X-159-2 |
| 3 | Screw, H.C. sems 3/8-16 x 1-1/4" (4) 1, 23, 58, 59, 63, 624, 854 | X-159-3 | 10 | Pan, oil (bottom drain) 54 | 47 199 07 |
| 4 | Plug, sq. hd. sold 3/4" N.P.T.F. 1, 58, 59, 854 | X-75-6 | 11 | Plug, pipe hex. hd. 3/8" 54 | X-75-32 |
| 4 | Plug, sq. hd. 3/8" 23, 63, 624 | X-75-10 | 12 | Washer, plain 3/8" 54 | X-25-37 |
| 5 | Plug, sq. ctsk. 1/2" N.P.T.F. 58, 63 | X-75-3 | 13 | Pan, oil (bottom and side drain) 67 | 47 199 16 |
| 5 | Plug, sq. hd. sold 3/4" N.P.T.F. 854 | X-75-6 | 14 | Plug, pipe ctsk. hd. 1/4", 67 | X-75-38 |

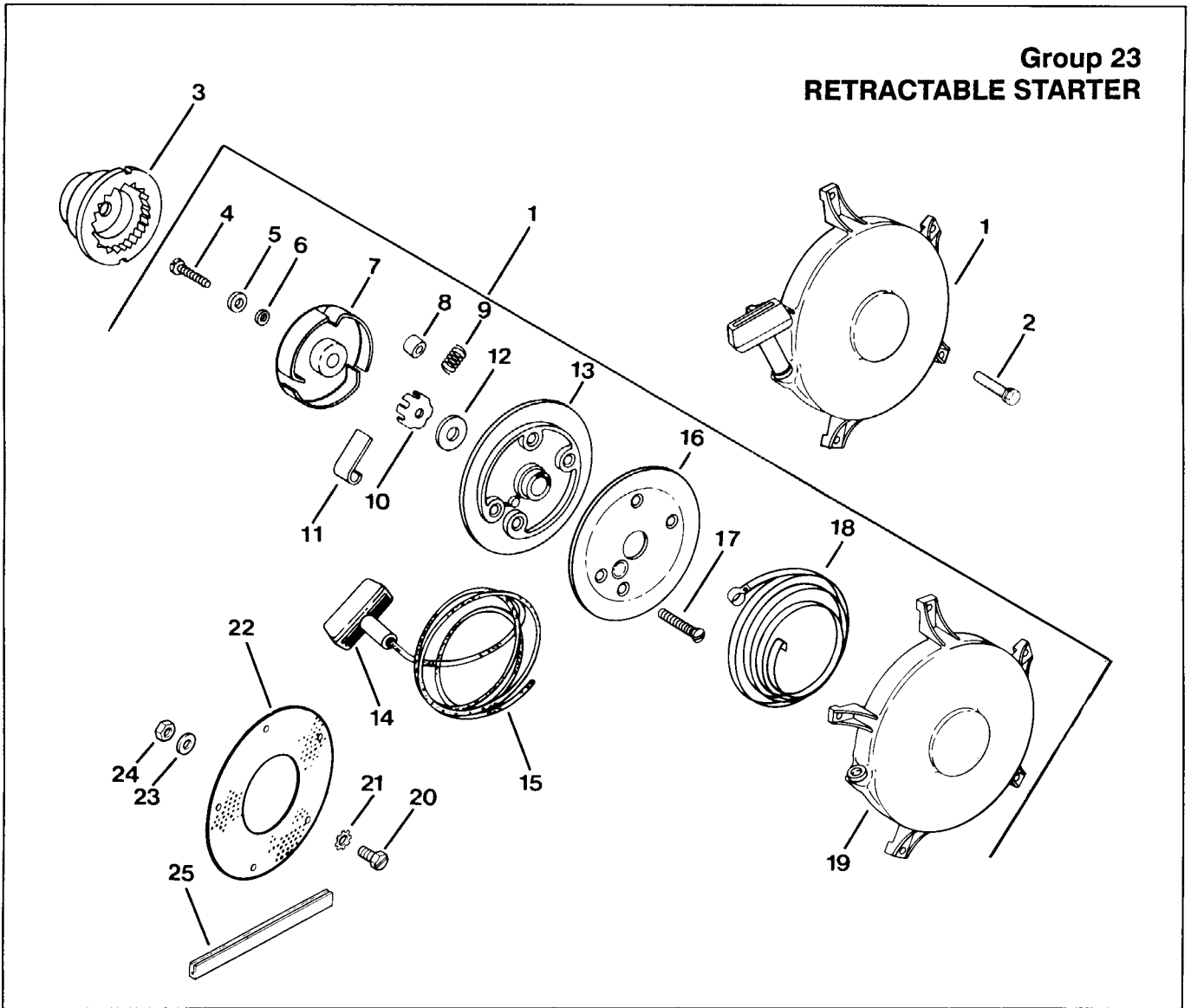
**Group 22
PISTON & ROD**



| Index Number | Description Variation Number | Part Number | Index Number | Description Variation Number | Part Number | | | |
|--------------------------|---------------------------------|--------------------------|--------------|---------------------------------|-------------|--------------------------|------------------------|-----------|
| 1 | Ring set (Std. & .003) | 235889 | 4 | Connecting rod (Std.) | 47 067 09 | | | |
| | (Replaced by 48 108 01) | | | 17 | | | | |
| | Ring set (.010) | | | 17 | | 47 067 10 | | |
| | (Replaced by 48 108 02) | | | 235890 | | 5 | Ring set (Std. & .003) | 47 108 01 |
| | Ring set (.020) | | | 235891 | | 17 | Ring set (.010) | |
| (Replaced 48 108 03) | 235892 | Ring set (.020) | 47 108 03 | | | | | |
| Ring set (.030) | 235892 | Ring set (.030) | 47 108 04 | | | | | |
| (Replaced by 48 108 04) | | | | | | | | |
| 2 | Piston w/ring set (Std.) | 47 874 06 | 6 | Piston w/ring set (Std.) | 47 874 16 | | | |
| | 17 | | | 17 | | | | |
| | Piston w/ring set (.003) | | | 47 874 07 | | Piston w/ring set (.003) | 47 874 17 | |
| | Piston w/ring set (.010) | | | 47 874 08 | | Piston w/ring set (.010) | 47 874 18 | |
| | Piston w/ring set (.020) | | | 47 874 09 | | Piston w/ring set (.020) | 47 874 19 | |
| Piston w/ring set (.030) | 47 874 10 | Piston w/ring set (.030) | 47 874 20 | | | | | |
| 3 | Retainer, piston pin (2) | 47 018 01 | 7 | Connecting rod (Std.) | 45 067 24 | | | |
| | 17 | | | 17 | | | | |
| | | | | Connecting rod (.010) | | 45 067 25 | | |

NOTE: ORDER PARTS ACCORDING TO DESIGN USED ON ENGINE.

Group 23 RETRACTABLE STARTER



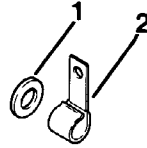
| Index Number | Description Variation Number | Part Number | Index Number | Description Variation Number | Part Number |
|--------------|---|-------------|--------------|--|-------------|
| 1 | Starter, retractable assembly <i>(Includes 4 – 19)</i> | 47 165 01 | 8 | Spacer, nylon 8, 11, 12 | 47 112 04 |
| 1 | Starter, retractable assembly w/grass screen <i>(Includes 4 – 25)</i> | A-237251 | 9 | Spring, retainer <i>(Use with spacer)</i> | 232525 |
| 2 | Screw, H.C. sems 10-24 x 5/8" (5) 8, 11, 12 | X-156-2 | 9 | Spring, dog (3) <i>(Replaces (1) spring 232525 and (1) spacer 47 112 04)</i> | 41 089 06 |
| 3 | Cup, drive 8, 11, 12 | 47 109 01 | 10 | Brake 8, 11, 12 | 231689 |
| 4 | Screw, hex. hd. 10-32 x 5/8" 8, 11, 12 | 231691 | 11 | Dog (3) 8, 11, 12 | 231695 |
| 5 | Washer 8, 11, 12 | 231690 | 12 | Washer, thrust 8, 11, 12 | 231692 |
| 6 | Washer 8, 11, 12 | 231693 | 13 | Pulley 8, 11, 12 | 231697 |
| 7 | Retainer 8, 11, 12 | 231699 | 14 | Handle 8, 11, 12 | 234452 |

**RETRACTABLE STARTER
(Cont'd)**

M12

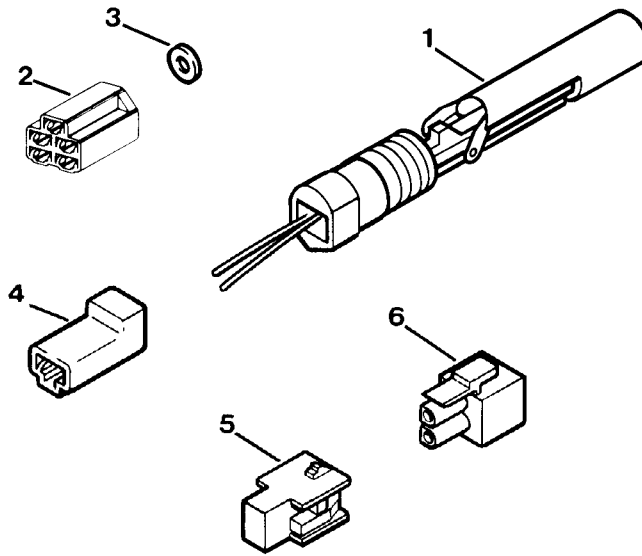
| Index Number | Description Variation Number | Part Number | Index Number | Description Variation Number | Part Number |
|-------------------------|--|------------------------|-------------------------|---|------------------------|
| 15 | Rope, #6 (66" long) 8, 11, 12 | 231686 | 20 | Screw, slotted hex. hd. #10-1/2" (5) 12 | X-97-2 |
| 16 | Sheave 8, 11, 12 | 231685 | 21 | Washer, ext tooth #10 (5) 12 | X-22-22 |
| 17 | Screw (4) 8, 11, 12 | 231683 | 22 | Screen, grass 12 | 237250 |
| 18 | Spring, recoil 8, 11, 12 | 231705 | 23 | Washer, plain 7/32" (5) 12 | X-25-36 |
| 19 | Housing 8, 11, 12 | 235696 | 24 | Nut, hex. 10-32" (5) 12 | X-70-3 |
| | | | 25 | Channel, rubber 3/8 x 10" 12 | X-532-2 |

Group 24
THROTTLE CABLE



| Index Number | Description Variation Number | Part Number | Index Number | Description Variation Number | Part Number |
|--------------|---|-------------|--------------|---------------------------------|-------------|
| 1 | Washer, plain 17/64 x 9/16 x 1/16" 826 | X-25-72 | | | |
| 2 | Clip, throttle cable 826 | 48 154 01 | | | |

**Group 32
OIL PRESS. CUTOUT**

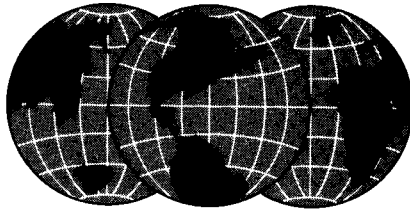


| Index Number | Description Variation Number | Part Number | Index Number | Description Variation Number | Part Number |
|--------------|---|-------------|------------------------|---|-------------|
| 1 | Switch, oil pressure <i>(Includes decal 25 113 05)</i> <i>(Replaced by 25 704 03)</i> 2 | 25 704 01 | Not Illustrated | | |
| 1 | Switch, oil pressure <i>(Includes decal 25 113 05)</i> 3, 4, 5, 9 | 25 704 03 | | Decal, oil sentry 2, 3, 4, 5, 9 | 25 113 05 |
| 2 | Connector 3 | 48 155 01 | | Terminal (2) <i>(Uninsulated locking tongue, female push on tab, 1/4")</i> 3 | 25 452 01 |
| 3 | Washer, 17/64 x 1/2 x 1/16" <i>(On ground screw)</i> 5 | X-25-63 | | Terminal <i>(Uninsulated locking tongue, female push on tab, 1/4")</i> 5 | 25 452 01 |
| 4 | Connector 5 | 277563 | | Terminal <i>(Ring tongue insulated grip)</i> 5 | 25 452 03 |
| 5 | Connector, ground and toggle switch leads 9 | 47 155 13 | | Terminal <i>(Uninsulated female bullet)</i> 9 | 25 452 09 |
| 6 | Connector, oil sentry 9 | 47 155 14 | | | |

M12

| Description Variation Number | Part Number | Description Variation Number | Part Number |
|---------------------------------|------------------|---------------------------------|------------------|
| Gasket Set (w/seals) | 47 755 27 | Gasket Set (w/o seals) | 47 004 02 |
| Set Includes: | | Set Includes: | |
| Plug, cup | X-702-3 | Plug, cup | X-702-3 |
| Seal, breather | 231032 | Seal, breather | 231032 |
| Gasket, camshaft cover (2) | 235025 | Gasket, camshaft cover (2) | 235025 |
| Gasket valve cover | 235048 | Gasket, valve cover | 235048 |
| Gasket, oil pan | 235057 | Gasket, oil pan | 235057 |
| Gasket, exhaust | 235122 | Gasket, exhaust | 235122 |
| Gasket, oil fill tube | 237064 | Gasket, oil fill tube | 237064 |
| Gasket, cylinder head | 47 041 15 | Gasket, cylinder head | 47 041 15 |
| Gasket, valve cover | 275144 | Gasket, valve cover | 275144 |
| Seal, front oil | 47 032 06 | Gasket, fuel pump | 25 041 05 |
| Seal, rear oil | 47 032 07 | Gasket, air cleaner | 47 041 05 |
| Gasket, fuel pump | 25 041 05 | Gasket, oil pan | 47 041 07 |
| Gasket, air cleaner | 47 041 05 | Gasket, bearing plate | 47 041 09 |
| Gasket, oil pan | 47 041 07 | Gasket, carburetor | 47 049 01 |
| Gasket, bearing plate | 47 041 09 | Gasket, bearing plate (3) | 47 422 05 |
| Gasket, carburetor | 47 049 01 | | |
| Gasket, bearing plate (3) | 47 422 05 | | |

THE NEW SHAPE OF KOHLER POWER



KOHLERengines

ENGINE DIVISION, KOHLER CO., KOHLER, WISCONSIN 53044

FOR SALES AND SERVICE INFORMATION
IN U.S. AND CANADA, CALL
1-800-544-2444

| |
|---------------------|
| FORM NO.: TP-2230-C |
| ISSUED: 3/86 |
| REVISED: 3/91 |
| MAILED: 3/91 |

LITHO IN U.S.A.